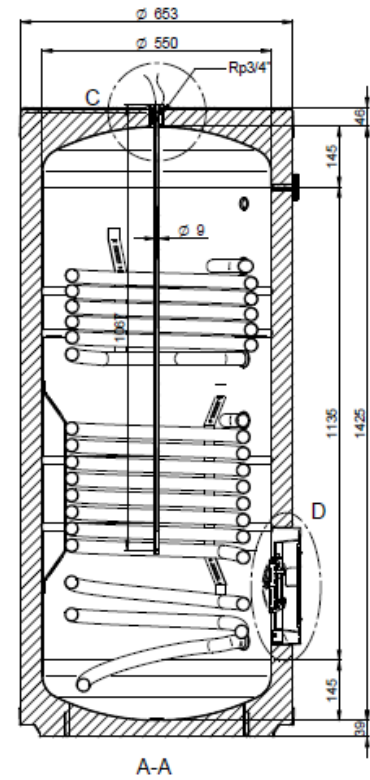
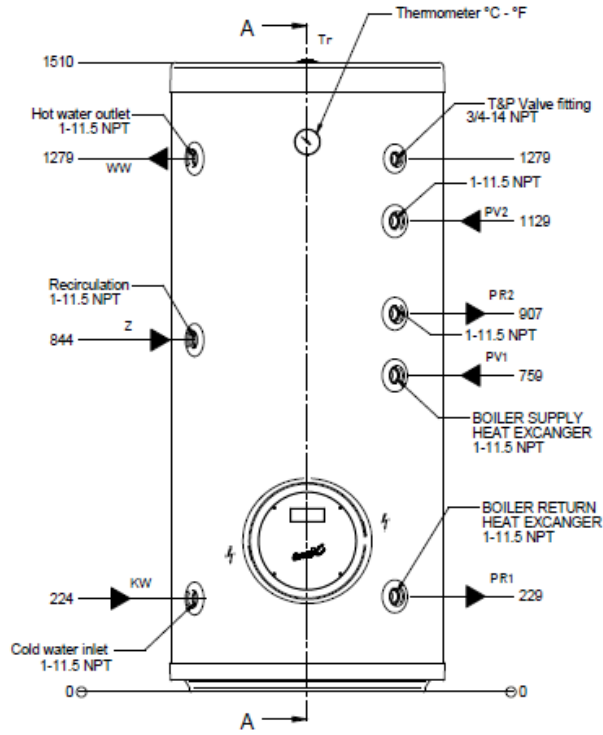
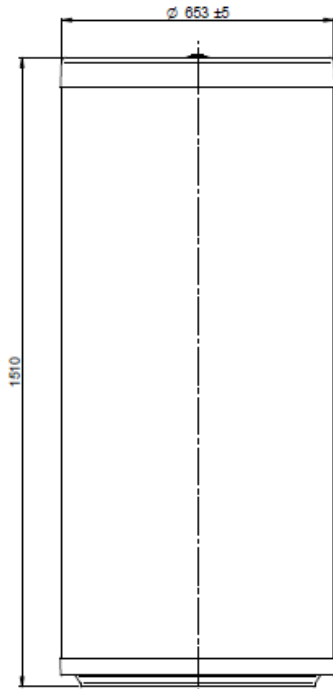
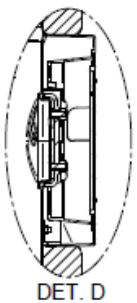
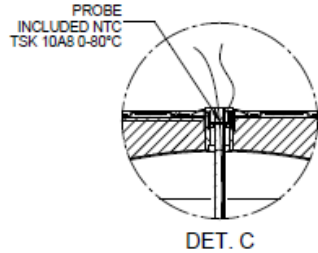
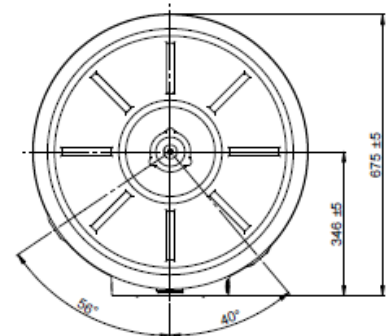
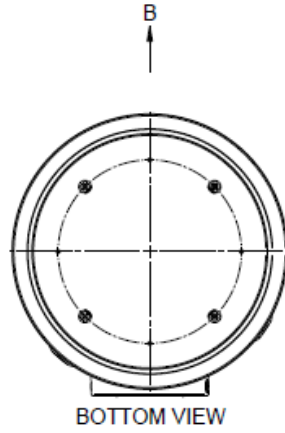


SCHEMA DIMENSIONALE



Dimensioni in millimetri		Dimensioni in pollici	
Ø 653 ±5	25.689 ±0.2	Ø 25.689 ±0.2	Ø 25.689 ±0.2
1510	59.449	59.449	59.449
1279	50.315	50.315	50.315
844	33.228	33.228	33.228
224	8.819	8.819	8.819
675 ±5	26.575 ±0.2	26.575 ±0.2	26.575 ±0.2
346 ±5	13.622 ±0.2	13.622 ±0.2	13.622 ±0.2
1135	44.685	44.685	44.685
145	5.709	5.709	5.709
19	0.748	0.748	0.748



- TECHNICAL FEATURES**
- FULL TANK IN AISI 316L STAINLESS STEEL
  - NOMINAL CAPACITY: 300 l
  - WELDING WITH "PLASMA" AND "TIG" TECHNOLOGY
  - EXCHANGE SURFACE LOWER COIL: 1.4 m<sup>2</sup>
  - EXCHANGE SURFACE UPPER: 0.8 m<sup>2</sup>
  - MAX DOMESTIC WATER OPERATING PREASSURE: 1.0 MPa (10 bar)
  - MAX PRIMARY OPERATING PREASSURE: 1.0 MPa (10 bar)
  - MAX OPERATING TEMPERATURE: 85°C
  - INSULATION LAYER: POLYURETHANE CFC AND HCFC FREE DIRECT FOAMING, THICKNESS > 50 mm
  - EXTERNAL COATING: COLOURED - BLACK - PLASTIC (PVC) THICKNESS 0,36 mm
- TEST**
- HEATING EXCHANGER TEST UNDER 8 bar PRESSURE (100%)
  - AIR PRESSURE TANK TEST: UNDER 8 bar TROUGH WATER IMMERSION TO VERIFY EVENTUAL COMPONENTS LEAKING (100%)

GIONA HOLDING		EX 80 US GAL/2	
Via Apollo 11, 1 37059 - D. Meta di Zevio (Verona) ITALIA		IN APPROVAZIONE SC 176701 A 00	