

PROJECT: _____	UNIT TAG: _____	QUANTITY: _____
REPRESENTATIVE: _____	TYPE OF SERVICE: _____	DATE: _____
ENGINEER: _____	SUBMITTED BY: _____	DATE: _____
CONTRACTOR: _____	APPROVED BY: _____	DATE: _____
	ORDER NO.: _____	DATE: _____

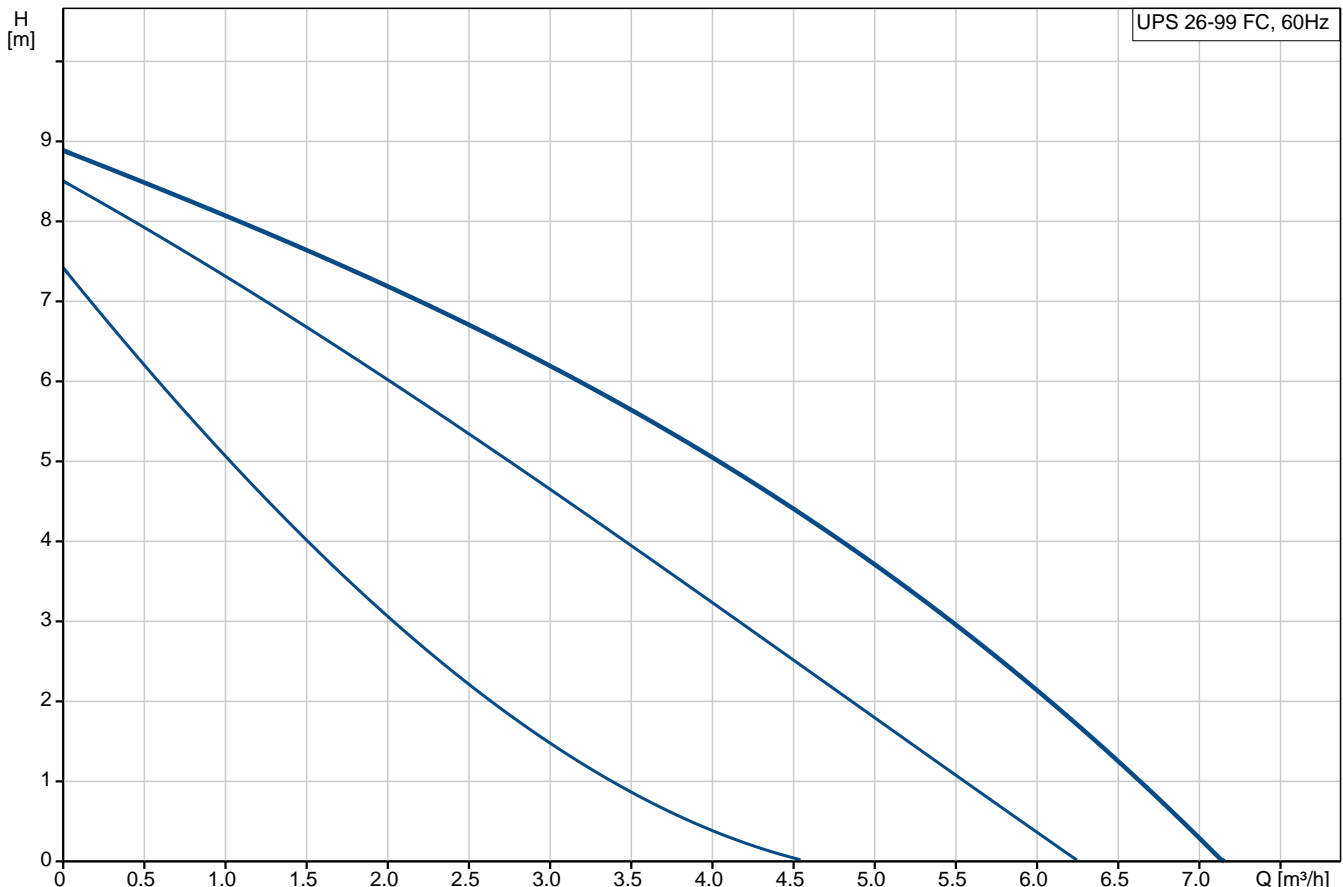
UPS 26-99 FC

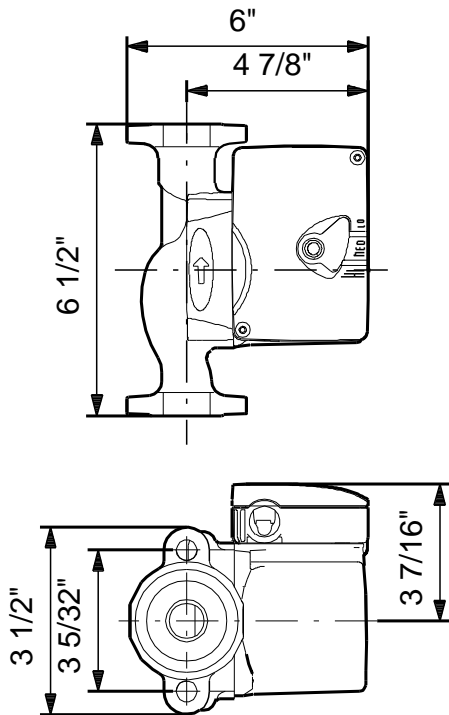
Circulator pumps



Note! Product picture may differ from actual product

Conditions of Service	Pump Data	Motor Data
Flow: _____	Maximum operating pressure: 10 bar	Max. power input: 197 W
Head: _____	Liquid temperature range: 2 .. 110 °C	Rated voltage: 115 V
Efficiency: _____	Maximum ambient temperature: 40 °C	Mains frequency: 60 Hz
Liquid: Water	Approvals: UL, CSA	Insulation class: F
Temperature: 60 °C	Type of connection: C.I. Flange	Motor protection: CONTACT
NPSH required: _____	Flange standard: USA Oval	Thermal protection: internal
Viscosity: _____	Pipe connection: 2 - Bolt Flange	
Specific Gravity: 0.985	Product number: 52722512	



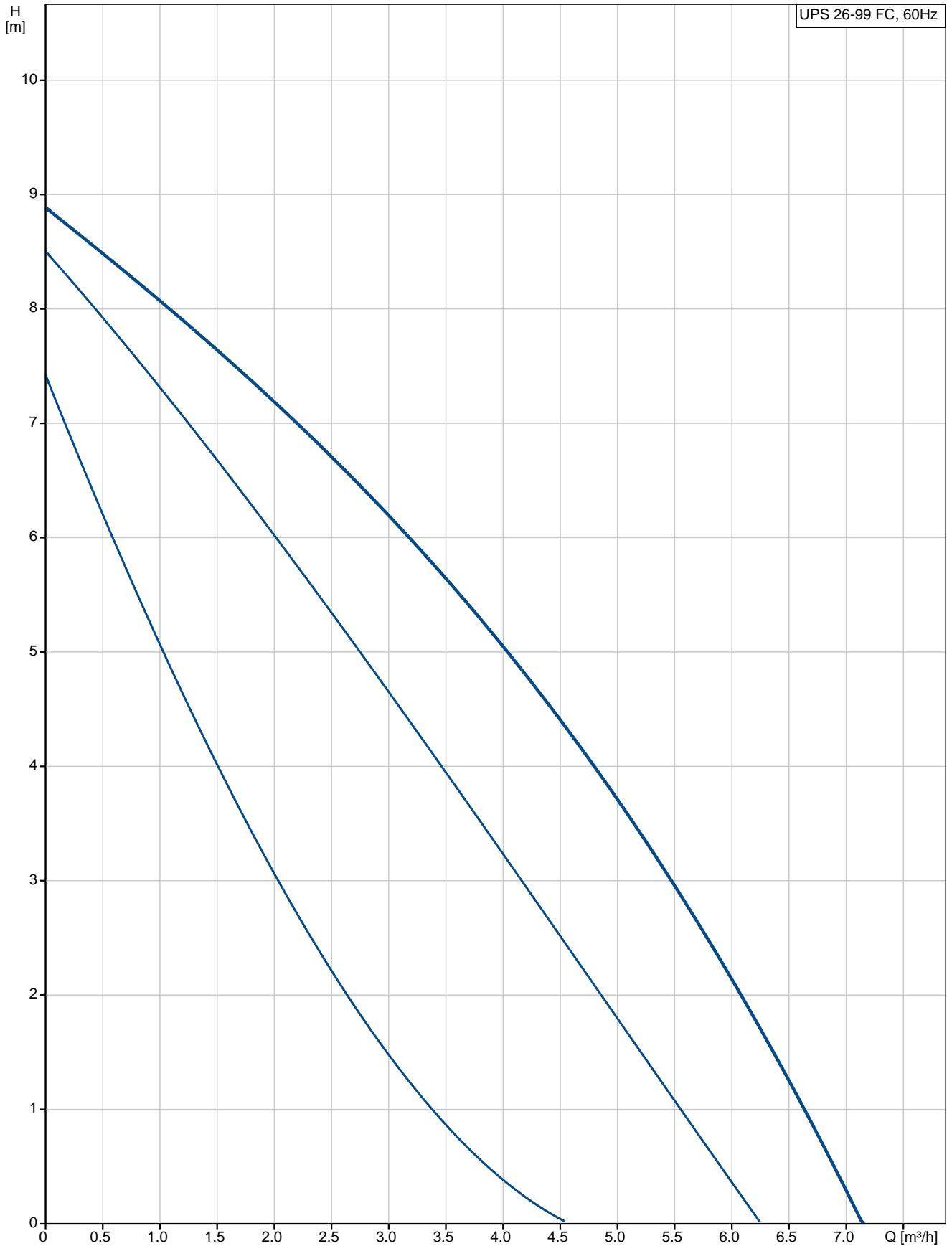


Materials:

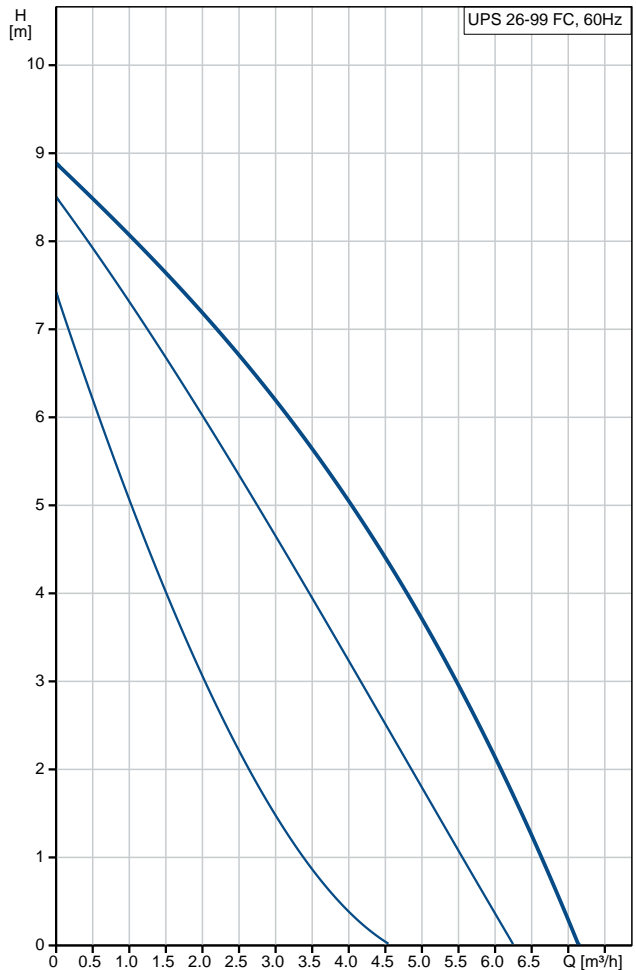
Pump housing: Cast iron
EN-JL1030
ASTM 30 B
Impeller: Composite, PES

Qty.	Description
1	<p>UPS 26-99 FC Product No.: 52722512 The pump is of the canned rotor type, i.e. pump and motor form an integral unit without shaft seal and with only two gaskets for sealing. The bearings are lubricated by the pumped liquid. The pump has 3-step speed selector. The pump is characterized by:</p> <ul style="list-style-type: none"> * Ceramic shaft and radial bearings. * Carbon axial bearing. * Stainless steel rotor can and bearing plate. * Corrosion-resistant impeller, Composite, PES. * Cast iron pump housing. <p>The motor is a 1-phase motor. No additional motor protection is required.</p> <p>Liquid: Pumped liquid: Water Liquid temperature range: 2 .. 110 °C Selected liquid temperature: 60 °C Density: 983.2 kg/m³</p> <p>Technical: Approvals on nameplate: UL, CSA</p> <p>Materials: Pump housing: Cast iron EN-JL1030 ASTM 30 B Impeller: Composite, PES</p> <p>Installation: Maximum ambient temperature: 40 °C Amb. max at 80 dgr C liquid: 80 °C Maximum operating pressure: 10 bar Flange standard: USA Oval Type of connection: C.I. Flange Pipe connection: 2 - Bolt Flange Pressure rating: 10 Port-to-port length: 165 mm</p> <p>Electrical data: Power input in speed 1: 150 W Power input in speed 2: 179 W Max. power input: 197 W Mains frequency: 60 Hz Rated voltage: 1 x 115 V Current in speed 1: 1.3 A Current in speed 2: 1.5 A Current in speed 3: 1.8 A Capacitor size - run: 20 µF/180 V Number of poles: 2 Insulation class (IEC 85): F</p> <p>Others: Gross weight: 4.67 kg</p>

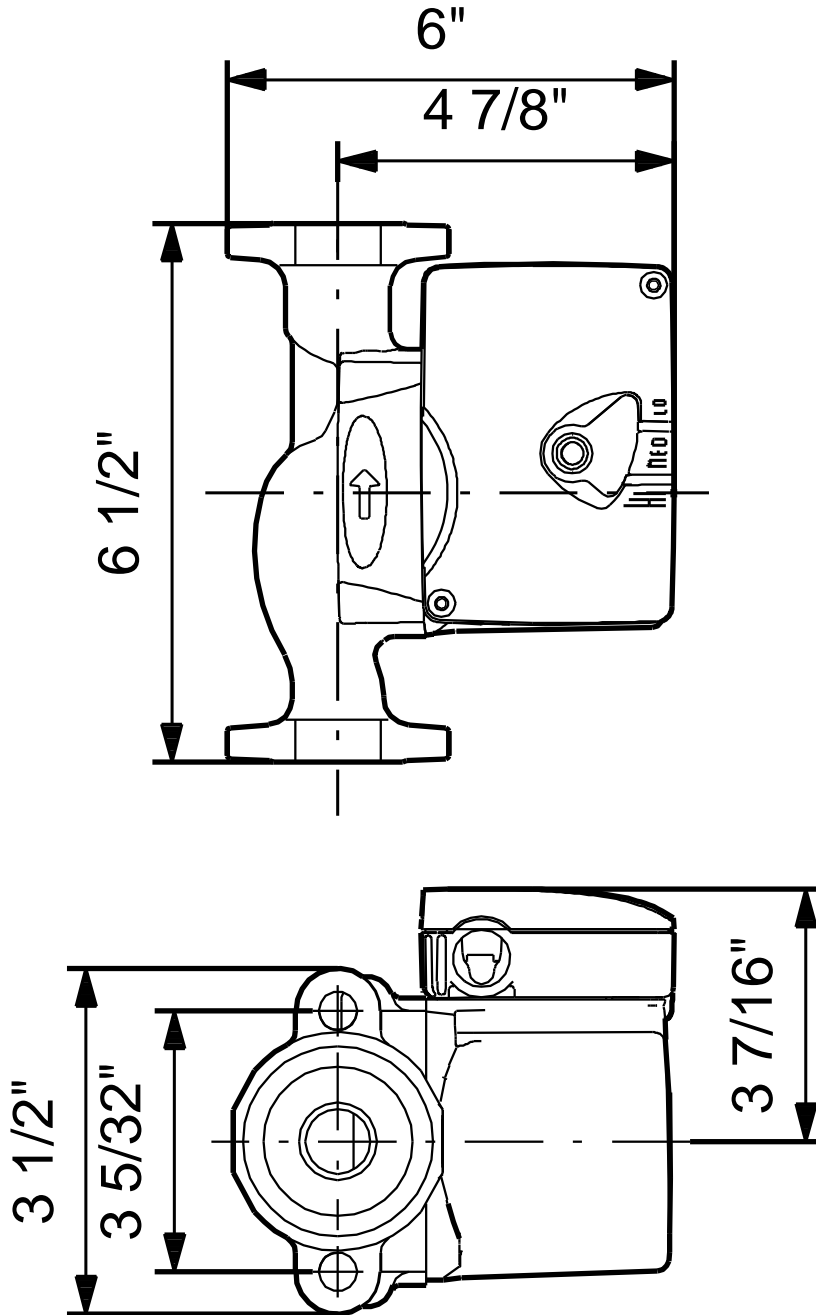
52722512 UPS 26-99 FC 60 Hz



Description	Value
General information:	
Product name:	UPS 26-99 FC
Product No:	52722512
EAN number:	5700834818707
	5700834818707
Technical:	
Speed no:	3
Max flow:	7.5 m ³ /h
Head max:	8.8 m
Approvals on nameplate:	UL, CSA
Valve:	pump with built-in isolating and non-return valves
Materials:	
Pump housing:	Cast iron
	EN-JL1030
	ASTM 30 B
Impeller:	Composite, PES
Installation:	
Maximum ambient temperature:	40 °C
Amb. max at 80 dgr C liquid:	80 °C
Maximum operating pressure:	10 bar
Flange standard:	USA Oval
Type of connection:	C.I. Flange
Pipe connection:	2 - Bolt Flange
Pressure rating:	10
Port-to-port length:	165 mm
Liquid:	
Pumped liquid:	Water
Liquid temperature range:	2 .. 110 °C
Selected liquid temperature:	60 °C
Density:	983.2 kg/m ³
Electrical data:	
Power input in speed 1:	150 W
Power input in speed 2:	179 W
Max. power input:	197 W
Mains frequency:	60 Hz
Rated voltage:	1 x 115 V
Current in speed 1:	1.3 A
Current in speed 2:	1.5 A
Current in speed 3:	1.8 A
Capacitor size - run:	20 µF/180 V
Number of poles:	2
Insulation class (IEC 85):	F
Motor protec:	CONTACT
Thermal protec:	internal
Controls:	
Pos term box:	9H
Others:	
Gross weight:	4.67 kg



52722512 UPS 26-99 FC 60 Hz



Note! All units are in [mm] unless others are stated.
Disclaimer: This simplified dimensional drawing does not show all details.