

PROJECT: _____	UNIT TAG: _____	QUANTITY: _____
REPRESENTATIVE: _____	TYPE OF SERVICE: _____	DATE: _____
ENGINEER: _____	SUBMITTED BY: _____	DATE: _____
CONTRACTOR: _____	APPROVED BY: _____	DATE: _____
	ORDER NO.: _____	DATE: _____

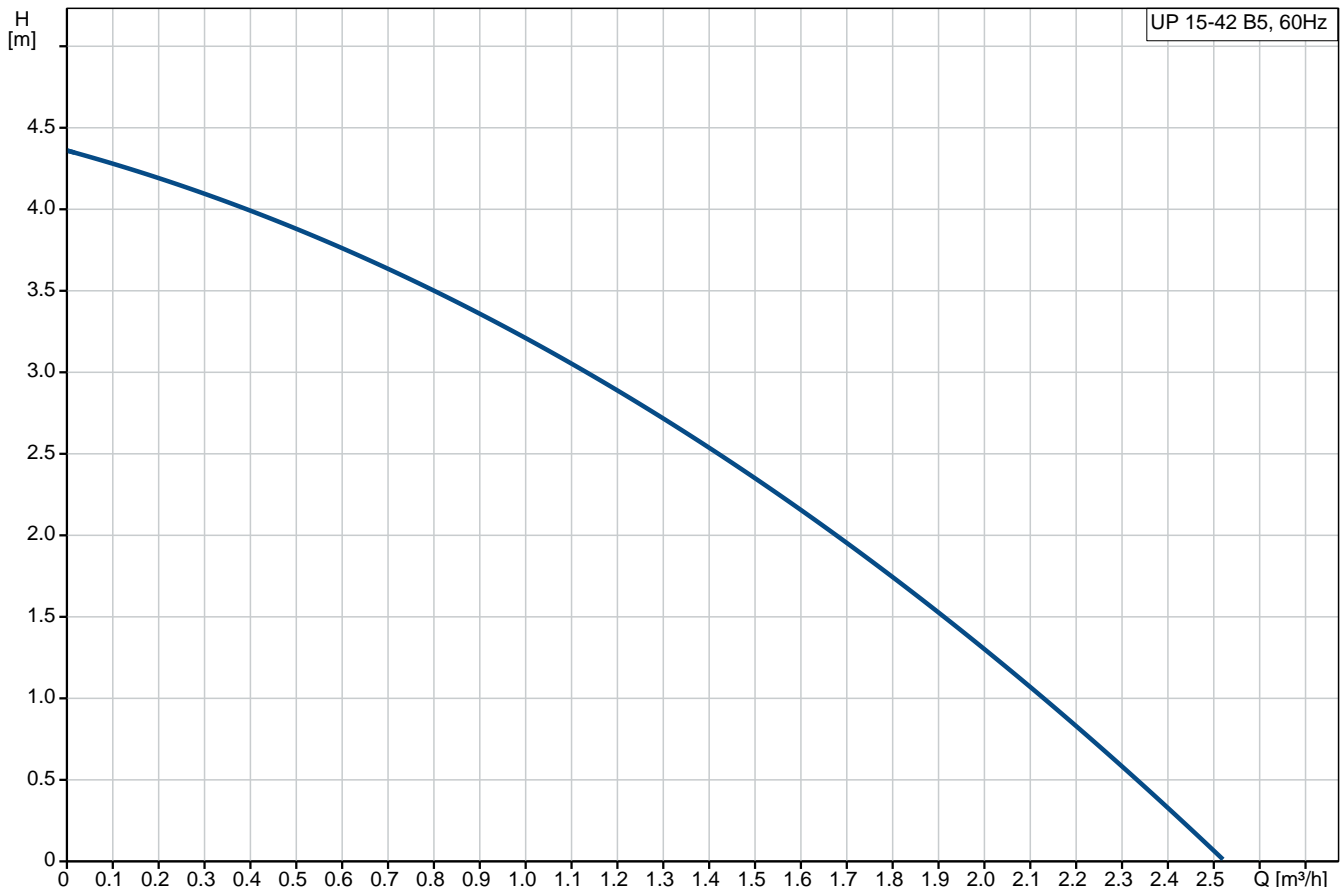


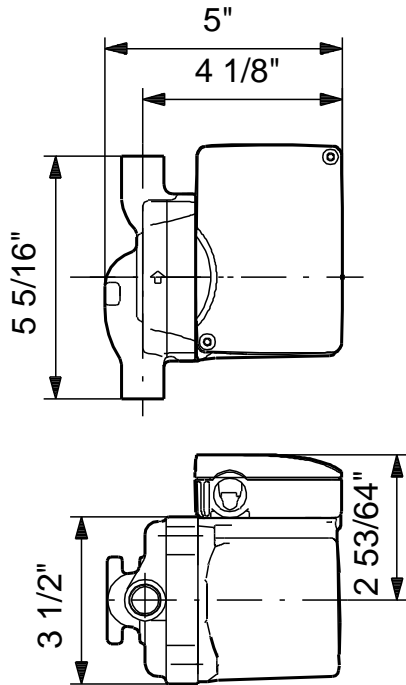
UP 15-42 B5

Circulator pumps

Note! Product picture may differ from actual product

Conditions of Service	Pump Data	Motor Data
Flow: _____	Maximum operating pressure: 10 bar	Max. power input: 85 W
Head: _____	Liquid temperature range: 2 .. 110 °C	Rated voltage: 115 V
Efficiency: _____	Maximum ambient temperature: 40 °C	Mains frequency: 60 Hz
Liquid: Water	Approvals: UL, CSA	Insulation class: F
Temperature: 60 °C	Type of connection: Brz. Sweat	Motor protection: CONTACT
NPSH required: _____	Flange standard: USA Sweat	Thermal protection: internal
Viscosity: _____	Pipe connection: 1/2" Sweat	
Specific Gravity: 0.985	Product number: 59896145	





Materials:

Pump housing: Bronze
DIN W.-Nr. 2.1176.01
Impeller: Composite, PES

Qty. Description

1 UP 15-42 B5



Note! Product picture may differ from actual product

Product No.: [59896145](#)

The pump is of the canned rotor type, i.e. pump and motor form an integral unit without shaft seal and with only two gaskets for sealing.

The bearings are lubricated by the pumped liquid.

The pump is characterized by:

- * Ceramic shaft and radial bearings.
- * Carbon axial bearing.
- * Stainless steel rotor can and bearing plate.
- * Corrosion-resistant impeller, Composite, PES.
- * Bronze pump housing.

The motor is a 1-phase motor.

No additional motor protection is required.

Liquid:

Pumped liquid: Water
 Liquid temperature range: 2 .. 110 °C
 Selected liquid temperature: 60 °C
 Density: 983.2 kg/m³

Technical:

Approvals on nameplate: UL, CSA

Materials:

Pump housing: Bronze
 DIN W.-Nr. 2.1176.01
 Impeller: Composite, PES

Installation:

Maximum ambient temperature: 40 °C
 Amb. max at 80 dgr C liquid: 80 °C
 Maximum operating pressure: 10 bar
 Flange standard: USA Sweat
 Type of connection: Brz. Sweat
 Pipe connection: 1/2" Sweat
 Pressure rating: 10
 Port-to-port length: 127 mm

Electrical data:

Max. power input: 85 W
 Mains frequency: 60 Hz
 Rated voltage: 1 x 115 V
 Current in speed 3: 0.74 A
 Capacitor size - run: 10 µF/180 V
 Number of poles: 2
 Insulation class (IEC 85): F



Company name:

Created by:

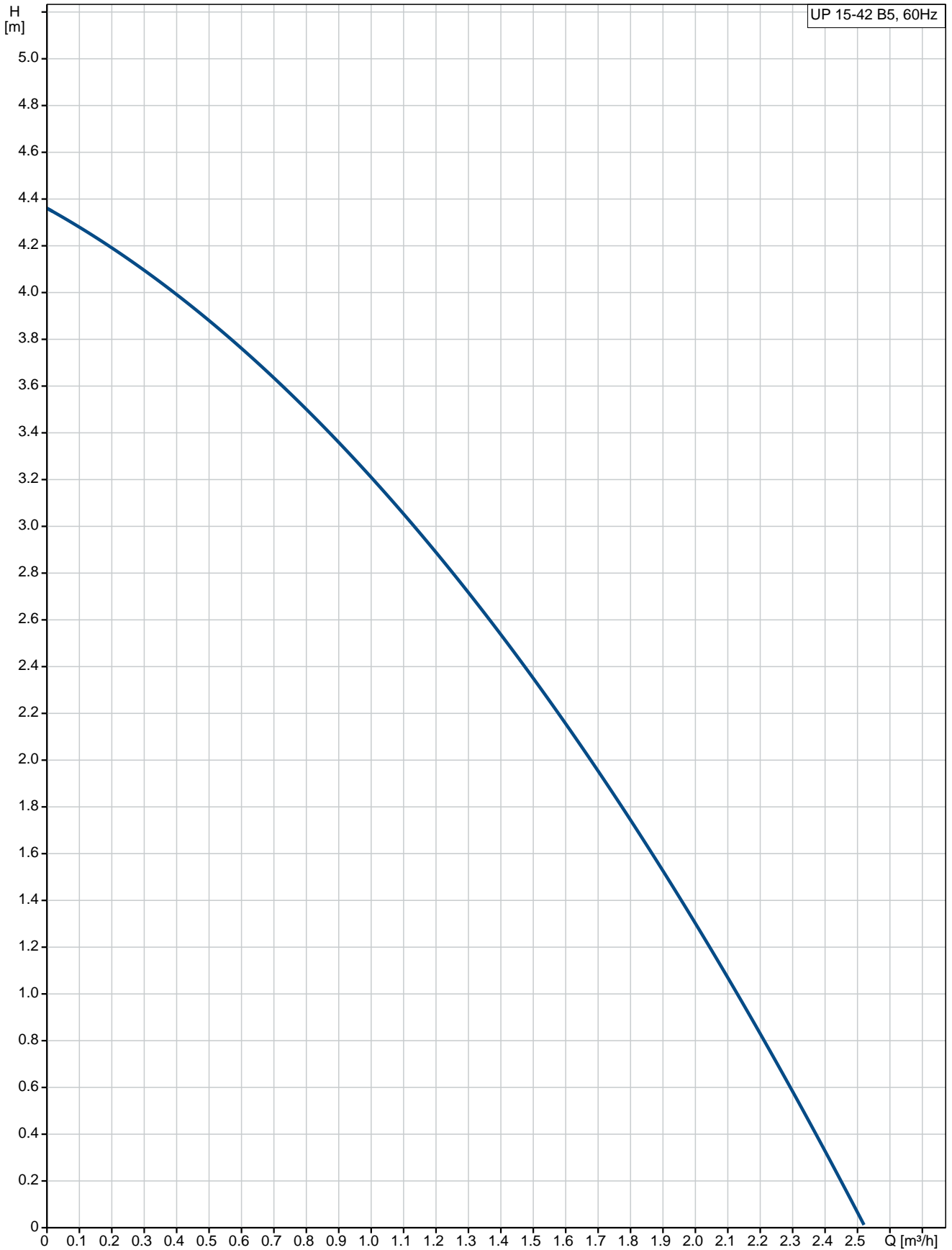
Phone:

Date:

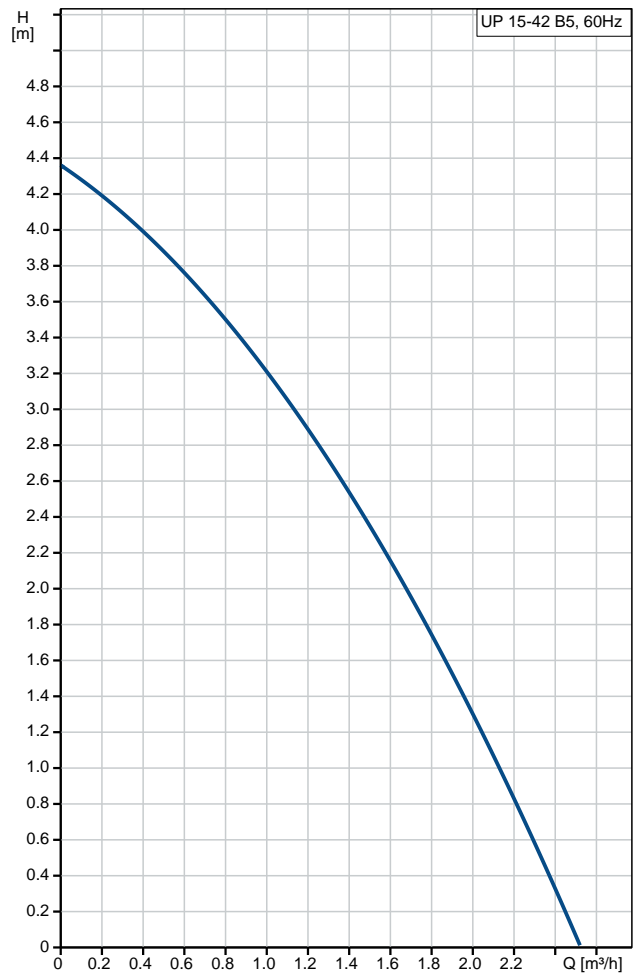
19/06/2020

Qty.	Description
	<p data-bbox="199 338 295 369">Others:</p> <p data-bbox="199 369 646 403">Gross weight: 2.72 kg</p>

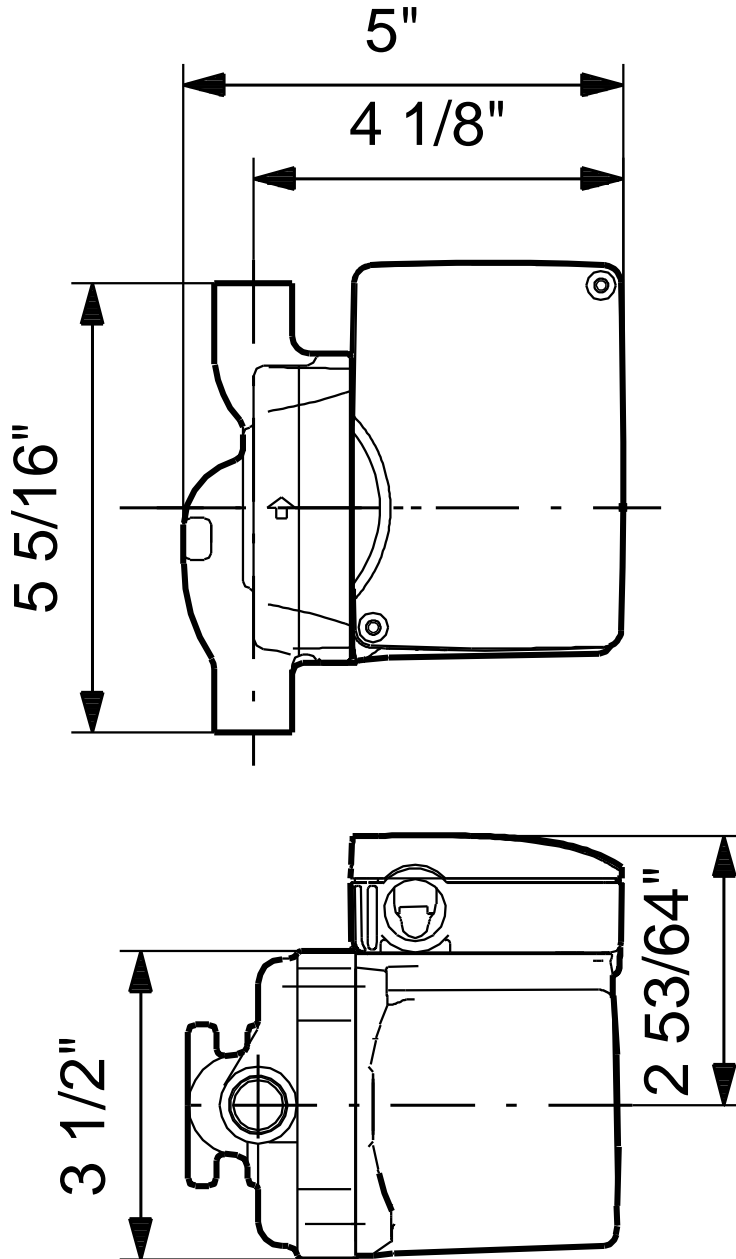
59896145 UP 15-42 B5 60 Hz



Description	Value
General information:	
Product name:	UP 15-42 B5
Product No:	59896145
EAN number:	5700391412462
	5700391412462
Technical:	
Speed no:	1
Max flow:	3.9 m ³ /h
Head max:	4.6 m
Approvals on nameplate:	UL, CSA
Materials:	
Pump housing:	Bronze
	DIN W.-Nr. 2.1176.01
Impeller:	Composite, PES
Installation:	
Maximum ambient temperature:	40 °C
Amb. max at 80 dgr C liquid:	80 °C
Maximum operating pressure:	10 bar
Flange standard:	USA Sweat
Type of connection:	Brz. Sweat
Pipe connection:	1/2" Sweat
Pressure rating:	10
Port-to-port length:	127 mm
Liquid:	
Pumped liquid:	Water
Liquid temperature range:	2 .. 110 °C
Selected liquid temperature:	60 °C
Density:	983.2 kg/m ³
Electrical data:	
Max. power input:	85 W
Mains frequency:	60 Hz
Rated voltage:	1 x 115 V
Current in speed 3:	0.74 A
Capacitor size - run:	10 µF/180 V
Number of poles:	2
Insulation class (IEC 85):	F
Motor protec:	CONTACT
Thermal protec:	internal
Controls:	
Pos term box:	9H
Others:	
Gross weight:	2.72 kg



59896145 UP 15-42 B5 60 Hz



Note! All units are in [mm] unless others are stated.
Disclaimer: This simplified dimensional drawing does not show all details.