

PROJECT: _____	UNIT TAG: _____	QUANTITY: _____
REPRESENTATIVE: _____	TYPE OF SERVICE: _____	DATE: _____
ENGINEER: _____	SUBMITTED BY: _____	DATE: _____
CONTRACTOR: _____	APPROVED BY: _____	DATE: _____
	ORDER NO.: _____	DATE: _____

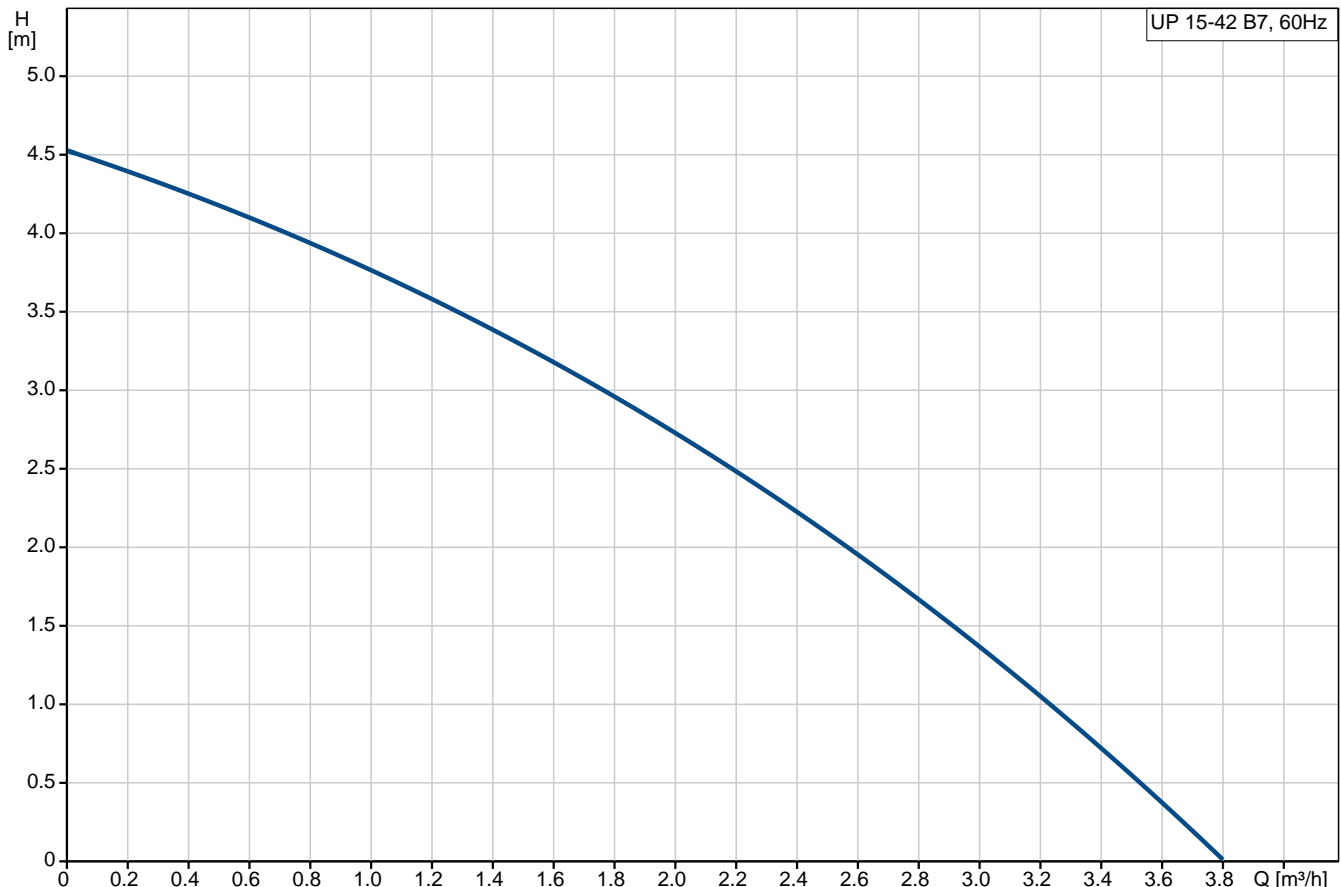


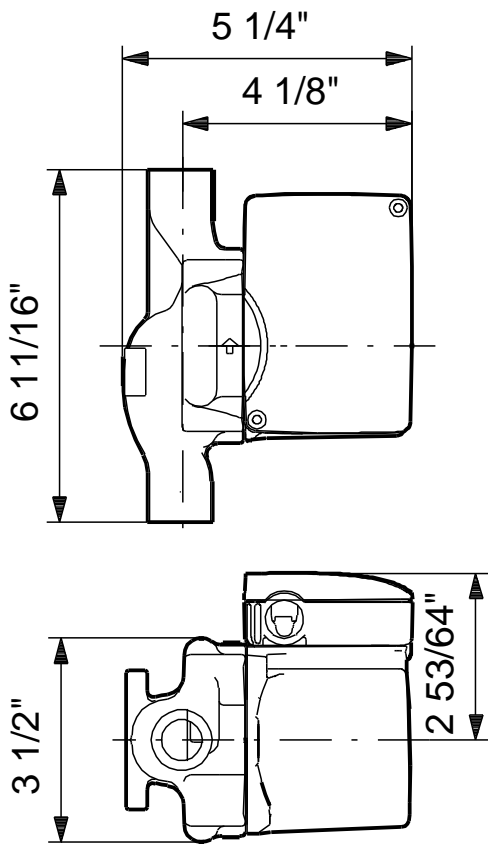
**UP 15-42 B7**

Circulator pumps

Note! Product picture may differ from actual product

Conditions of Service	Pump Data	Motor Data
Flow: _____	Maximum operating pressure: 10 bar	Max. power input: 85 W
Head: _____	Liquid temperature range: 2 .. 110 °C	Rated voltage: 115 V
Efficiency: _____	Maximum ambient temperature: 40 °C	Mains frequency: 60 Hz
Liquid: Water	Approvals: UL, CSA	Insulation class: F
Temperature: 60 °C	Type of connection: Brz. Sweat	Motor protection: CONTACT
NPSH required: m	Flange standard: USA Sweat	Thermal protection: internal
Viscosity: _____	Pipe connection: 3/4" Sweat	
Specific Gravity: 0.985	Product number: 59896146	





**Materials:**

Pump housing: Bronze  
DIN W.-Nr. 2.1176.01  
Impeller: Composite, PES

**Qty. Description**

1 UP 15-42 B7



Note! Product picture may differ from actual product

Product No.: [59896146](#)

The pump is of the canned rotor type, i.e. pump and motor form an integral unit without shaft seal and with only two gaskets for sealing.

The bearings are lubricated by the pumped liquid.

The pump is characterized by:

- \* Ceramic shaft and radial bearings.
- \* Carbon axial bearing.
- \* Stainless steel rotor can and bearing plate.
- \* Corrosion-resistant impeller, Composite, PES.
- \* Bronze pump housing.

The motor is a 1-phase motor.

No additional motor protection is required.

**Liquid:**

Pumped liquid: Water  
 Liquid temperature range: 2 .. 110 °C  
 Selected liquid temperature: 60 °C  
 Density: 983.2 kg/m<sup>3</sup>

**Technical:**

Approvals on nameplate: UL, CSA

**Materials:**

Pump housing: Bronze  
 DIN W.-Nr. 2.1176.01  
 Impeller: Composite, PES

**Installation:**

Maximum ambient temperature: 40 °C  
 Amb. max at 80 dgr C liquid: 80 °C  
 Maximum operating pressure: 10 bar  
 Flange standard: USA Sweat  
 Type of connection: Brz. Sweat  
 Pipe connection: 3/4" Sweat  
 Pressure rating: 10  
 Port-to-port length: 161 mm

**Electrical data:**

Max. power input: 85 W  
 Mains frequency: 60 Hz  
 Rated voltage: 1 x 115 V  
 Current in speed 3: 0.74 A  
 Capacitor size - run: 10 µF/180 V  
 Number of poles: 2  
 Insulation class (IEC 85): F



Company name:

Created by:

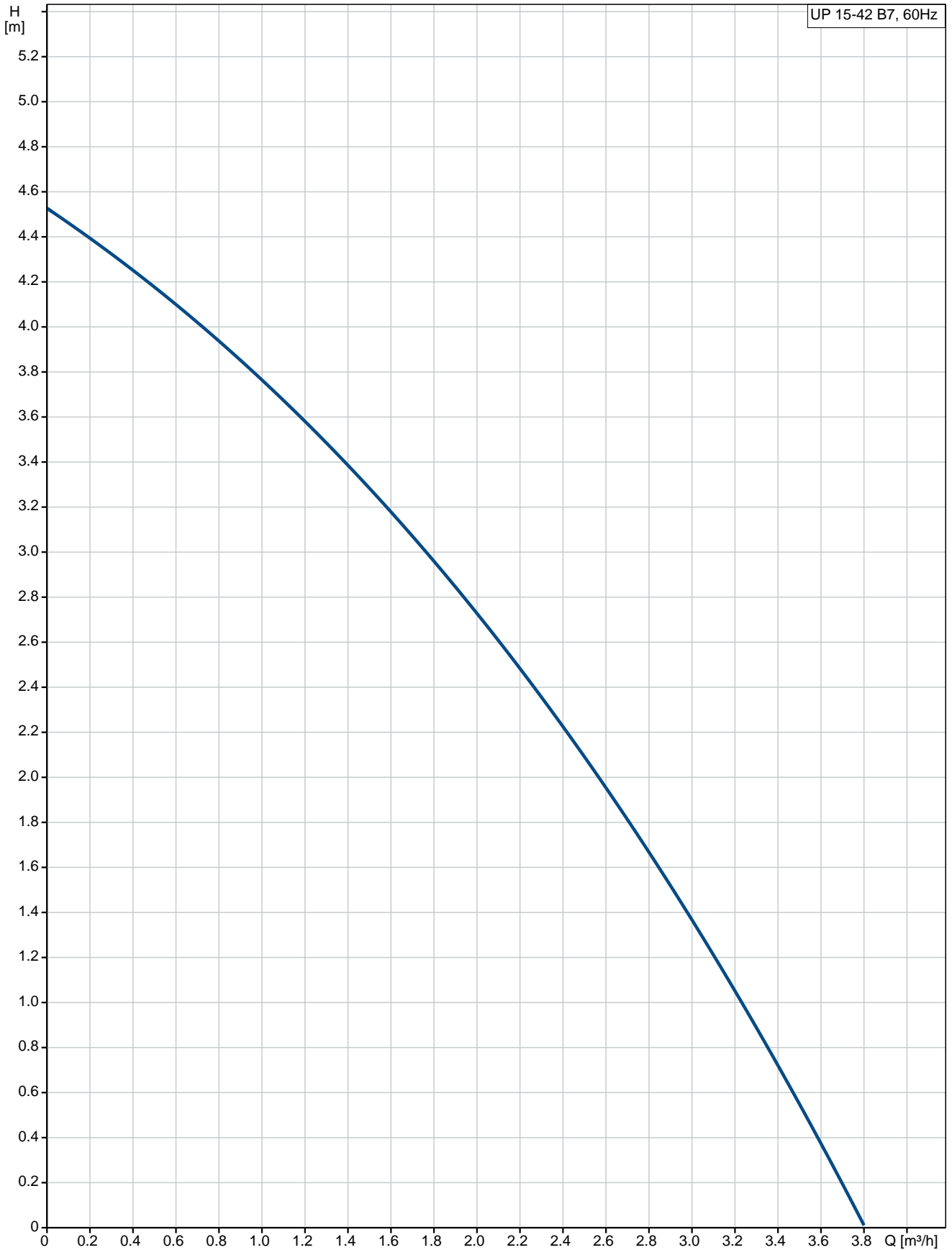
Phone:

Date:

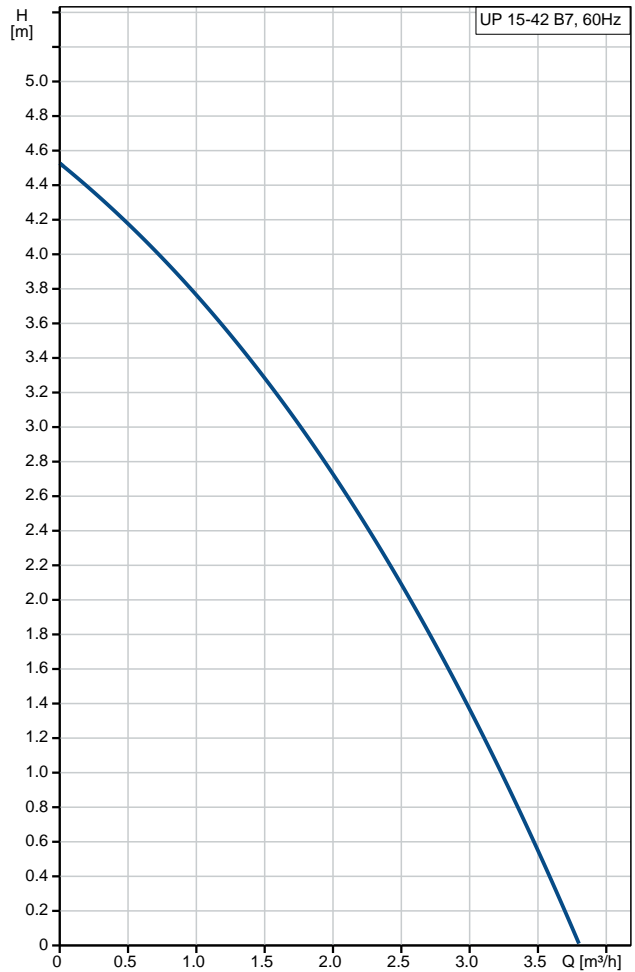
19/06/2020

Qty.	Description
	<p data-bbox="199 338 295 369"><b>Others:</b></p> <p data-bbox="199 369 651 403">Gross weight: 3.04 kg</p>

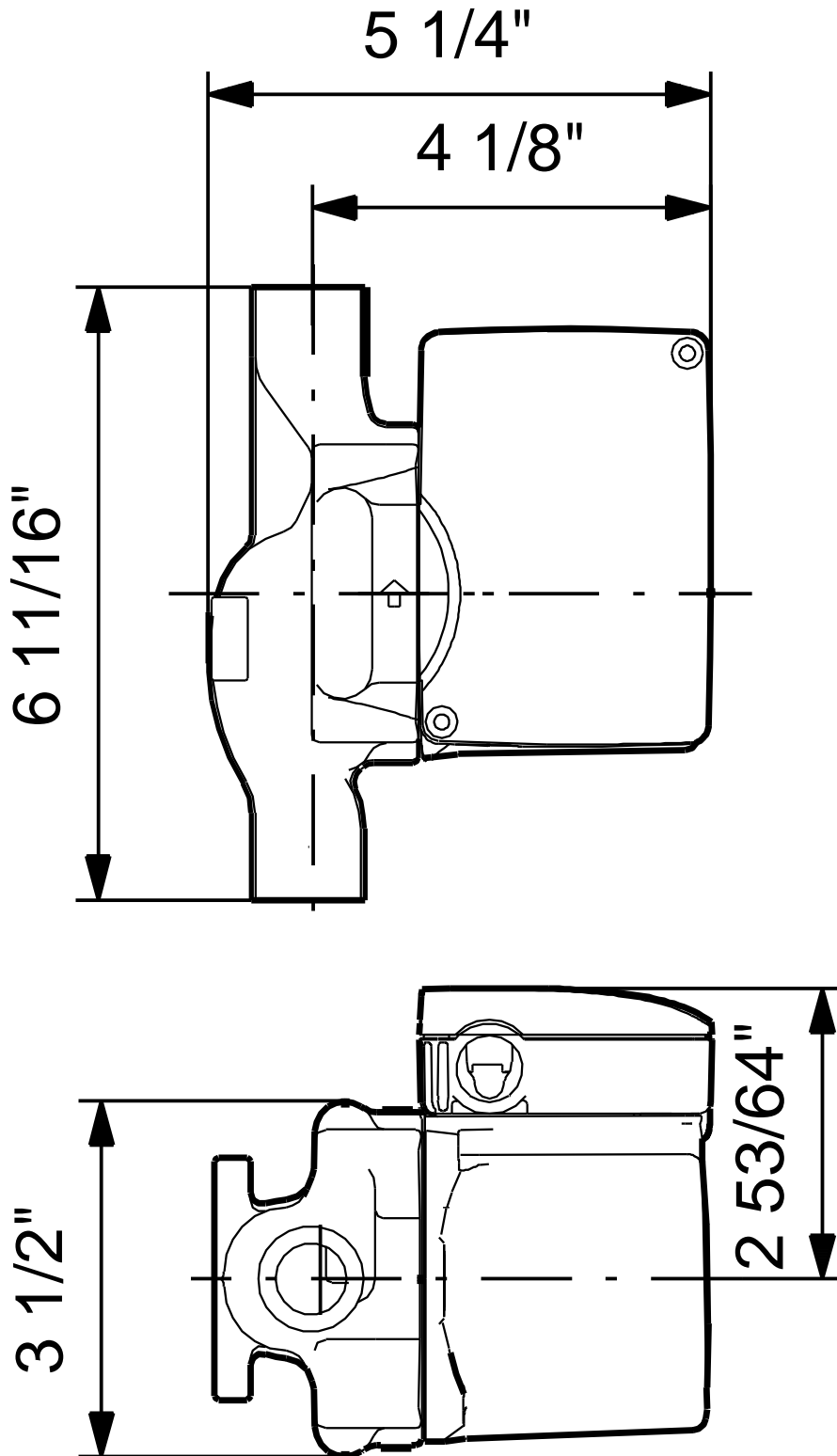
## 59896146 UP 15-42 B7 60 Hz



Description	Value
<b>General information:</b>	
Product name:	UP 15-42 B7
Product No:	59896146
EAN number:	5700391412509
	5700391412509
<b>Technical:</b>	
Speed no:	1
Max flow:	3.9 m <sup>3</sup> /h
Head max:	4.6 m
Approvals on nameplate:	UL, CSA
<b>Materials:</b>	
Pump housing:	Bronze
	DIN W.-Nr. 2.1176.01
Impeller:	Composite, PES
<b>Installation:</b>	
Maximum ambient temperature:	40 °C
Amb. max at 80 dgr C liquid:	80 °C
Maximum operating pressure:	10 bar
Flange standard:	USA Sweat
Type of connection:	Brz. Sweat
Pipe connection:	3/4" Sweat
Pressure rating:	10
Port-to-port length:	161 mm
<b>Liquid:</b>	
Pumped liquid:	Water
Liquid temperature range:	2 .. 110 °C
Selected liquid temperature:	60 °C
Density:	983.2 kg/m <sup>3</sup>
<b>Electrical data:</b>	
Max. power input:	85 W
Mains frequency:	60 Hz
Rated voltage:	1 x 115 V
Current in speed 3:	0.74 A
Capacitor size - run:	10 µF/180 V
Number of poles:	2
Insulation class (IEC 85):	F
Motor protec:	CONTACT
Thermal protec:	internal
<b>Controls:</b>	
Pos term box:	9H
<b>Others:</b>	
Gross weight:	3.04 kg



**59896146 UP 15-42 B7 60 Hz**



Note! All units are in [mm] unless others are stated.  
Disclaimer: This simplified dimensional drawing does not show all details.