

PROJECT: _____	UNIT TAG: _____	QUANTITY: _____
REPRESENTATIVE: _____	TYPE OF SERVICE: _____	DATE: _____
ENGINEER: _____	SUBMITTED BY: _____	DATE: _____
CONTRACTOR: _____	APPROVED BY: _____	DATE: _____
	ORDER NO.: _____	DATE: _____

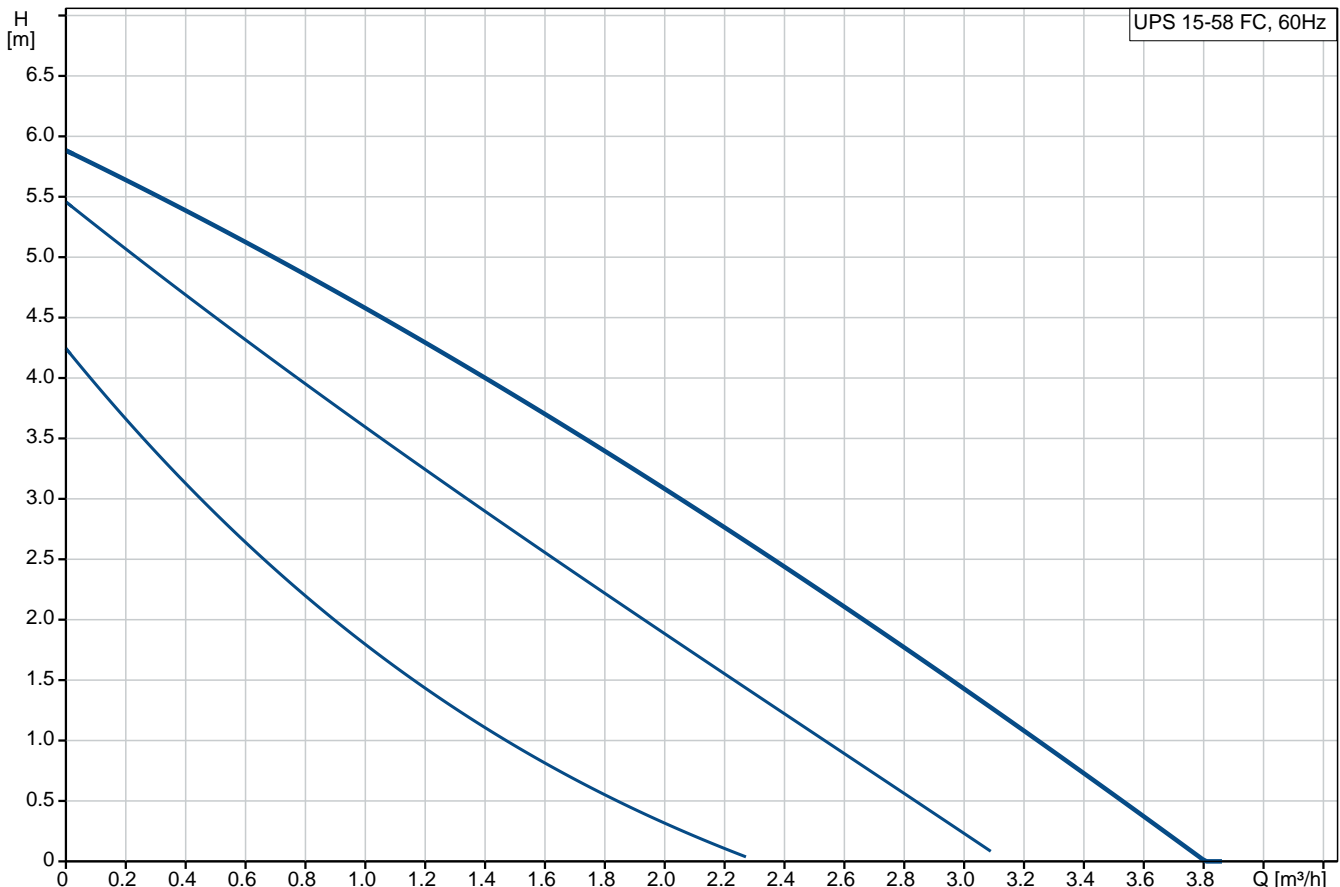
## UPS 15-58 FC

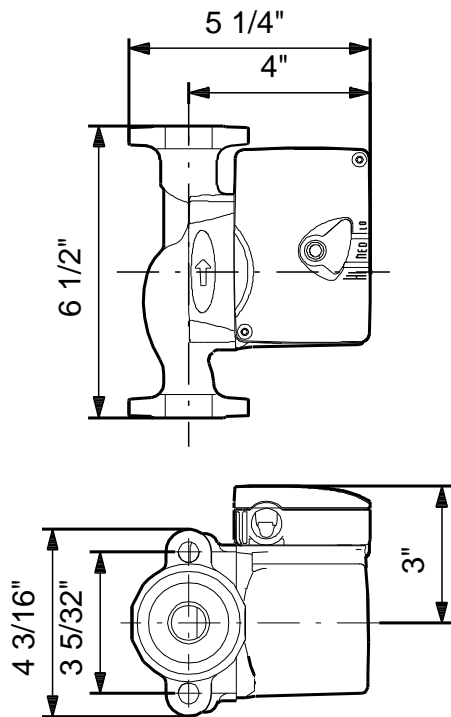
Circulator pumps



Note! Product picture may differ from actual product

Conditions of Service	Pump Data	Motor Data
Flow: _____	Maximum operating pressure: 10 bar	Max. power input: 87 W
Head: _____	Liquid temperature range: 2 .. 110 °C	Rated voltage: 115 V
Efficiency: _____	Maximum ambient temperature: 40 °C	Mains frequency: 60 Hz
Liquid: Water	Approvals: UL, CSA	Insulation class: F
Temperature: 60 °C	Type of connection: C.I. Flange	Motor protection: CONTACT
NPSH required: m	Flange standard: USA Oval	Thermal protection: internal
Viscosity: _____	Pipe connection: 2 - Bolt Flange	
Specific Gravity: 0.985	Product number: 59896341	



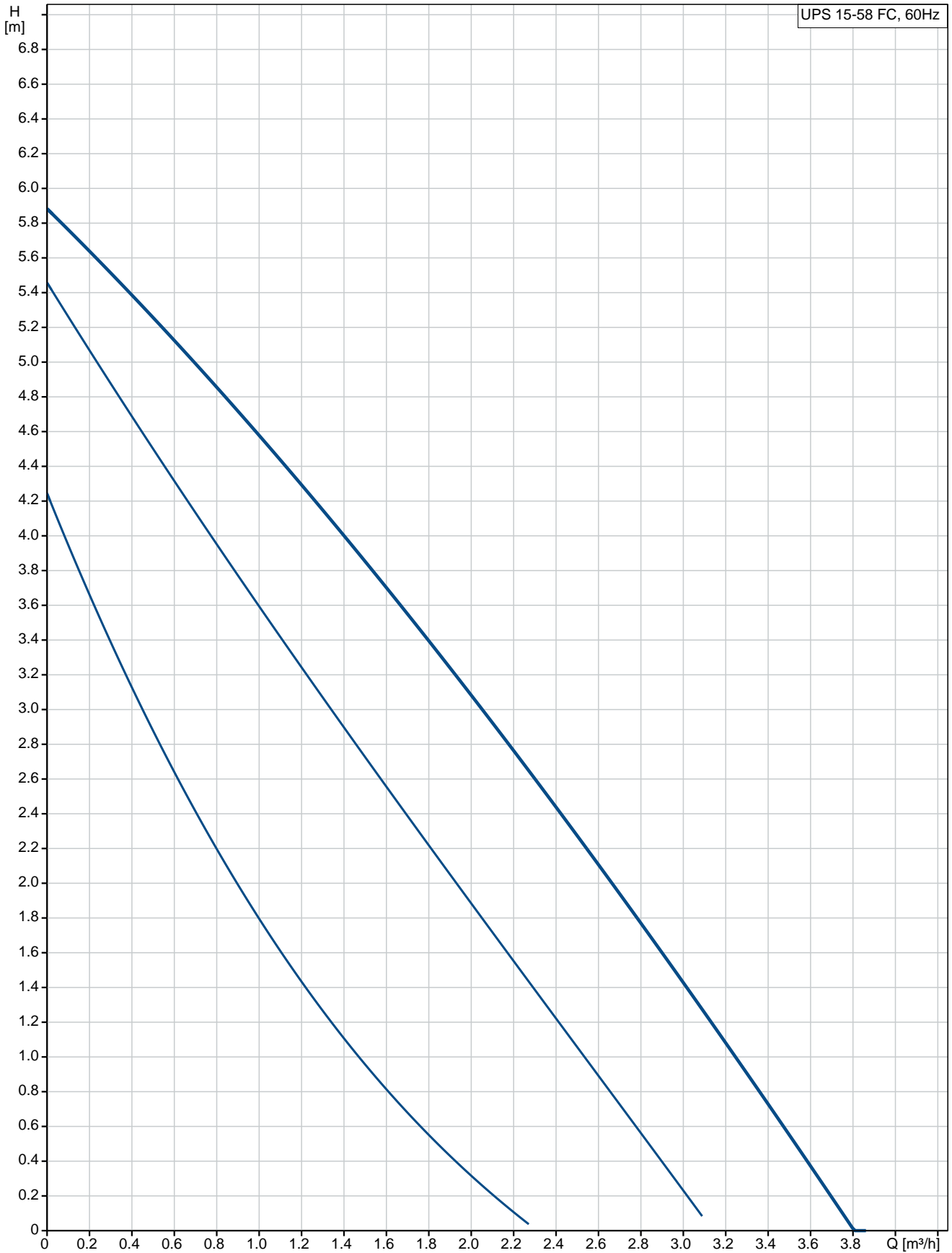


**Materials:**

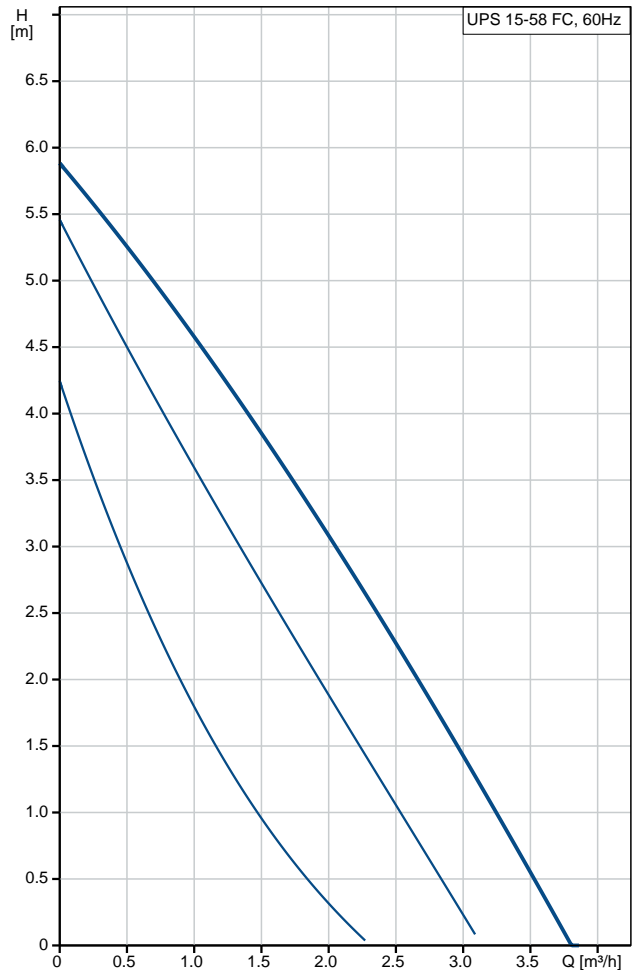
Pump housing: Cast iron  
EN-JL1030  
ASTM 30 B  
Impeller: Composite, PES

Qty.	Description
1	<p><b>UPS 15-58 FC</b>            Product No.: <a href="#">59896341</a>            The pump is of the canned rotor type, i.e. pump and motor form an integral unit without shaft seal and with only two gaskets for sealing. The bearings are lubricated by the pumped liquid. The pump has 3-step speed selector. The pump is characterized by:</p> <ul style="list-style-type: none"> <li>* Ceramic shaft and radial bearings.</li> <li>* Carbon axial bearing.</li> <li>* Stainless steel rotor can and bearing plate.</li> <li>* Corrosion-resistant impeller, Composite, PES.</li> <li>* Cast iron pump housing.</li> </ul> <p>The motor is a 1-phase motor.            No additional motor protection is required.</p> <p><b>Liquid:</b>            Pumped liquid: Water            Liquid temperature range: 2 .. 110 °C            Selected liquid temperature: 60 °C            Density: 983.2 kg/m<sup>3</sup></p> <p><b>Technical:</b>            Approvals on nameplate: UL, CSA</p> <p><b>Materials:</b>            Pump housing: Cast iron                              EN-JL1030                              ASTM 30 B            Impeller: Composite, PES</p> <p><b>Installation:</b>            Maximum ambient temperature: 40 °C            Amb. max at 80 dgr C liquid: 80 °C            Maximum operating pressure: 10 bar            Flange standard: USA Oval            Type of connection: C.I. Flange            Pipe connection: 2 - Bolt Flange            Pressure rating: 10            Port-to-port length: 165 mm</p> <p><b>Electrical data:</b>            Power input in speed 1: 60 W            Power input in speed 2: 80 W            Max. power input: 87 W            Mains frequency: 60 Hz            Rated voltage: 1 x 115 V            Current in speed 1: 0.55 A            Current in speed 2: 0.66 A            Current in speed 3: 0.75 A            Capacitor size - run: 10 µF/180 V            Number of poles: 2            Insulation class (IEC 85): F</p> <p><b>Others:</b>            Gross weight: 3.29 kg</p>

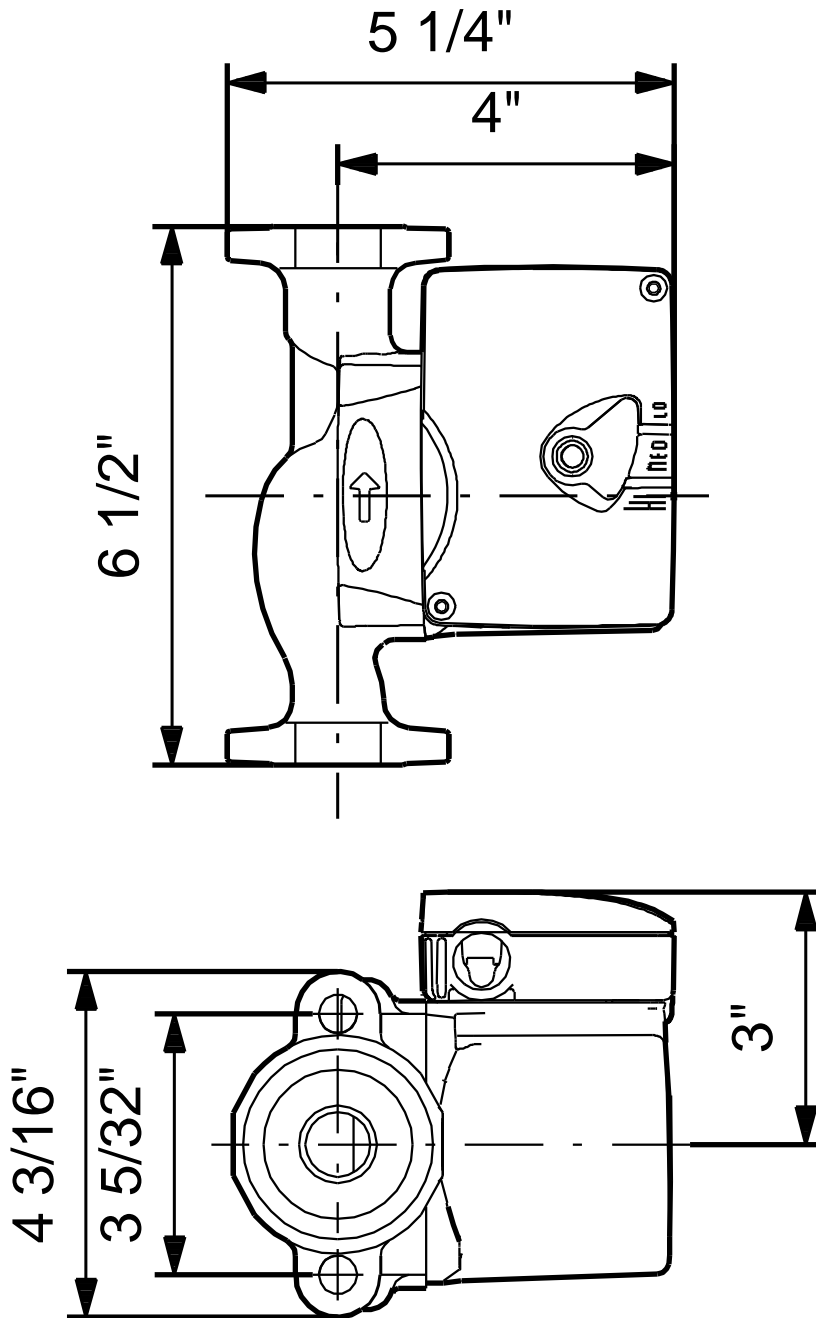
## 59896341 UPS 15-58 FC 60 Hz



Description	Value
<b>General information:</b>	
Product name:	UPS 15-58 FC
Product No:	59896341
EAN number:	5700395855203
	5700395855203
<b>Technical:</b>	
Speed no:	3
Max flow:	3.9 m <sup>3</sup> /h
Head max:	5.9 m
Approvals on nameplate:	UL, CSA
Valve:	pump with built-in isolating and non-return valves
<b>Materials:</b>	
Pump housing:	Cast iron
	EN-JL1030
	ASTM 30 B
Impeller:	Composite, PES
<b>Installation:</b>	
Maximum ambient temperature:	40 °C
Amb. max at 80 dgr C liquid:	80 °C
Maximum operating pressure:	10 bar
Flange standard:	USA Oval
Type of connection:	C.I. Flange
Pipe connection:	2 - Bolt Flange
Pressure rating:	10
Port-to-port length:	165 mm
<b>Liquid:</b>	
Pumped liquid:	Water
Liquid temperature range:	2 .. 110 °C
Selected liquid temperature:	60 °C
Density:	983.2 kg/m <sup>3</sup>
<b>Electrical data:</b>	
Power input in speed 1:	60 W
Power input in speed 2:	80 W
Max. power input:	87 W
Mains frequency:	60 Hz
Rated voltage:	1 x 115 V
Current in speed 1:	0.55 A
Current in speed 2:	0.66 A
Current in speed 3:	0.75 A
Capacitor size - run:	10 µF/180 V
Number of poles:	2
Insulation class (IEC 85):	F
Motor protec:	CONTACT
Thermal protec:	internal
<b>Controls:</b>	
Pos term box:	9H
<b>Others:</b>	
Gross weight:	3.29 kg



**59896341 UPS 15-58 FC 60 Hz**



Note! All units are in [mm] unless others are stated.  
Disclaimer: This simplified dimensional drawing does not show all details.