

PROJECT: _____	UNIT TAG: _____	QUANTITY: _____
REPRESENTATIVE: _____	TYPE OF SERVICE: _____	DATE: _____
ENGINEER: _____	SUBMITTED BY: _____	DATE: _____
CONTRACTOR: _____	APPROVED BY: _____	DATE: _____
	ORDER NO.: _____	DATE: _____

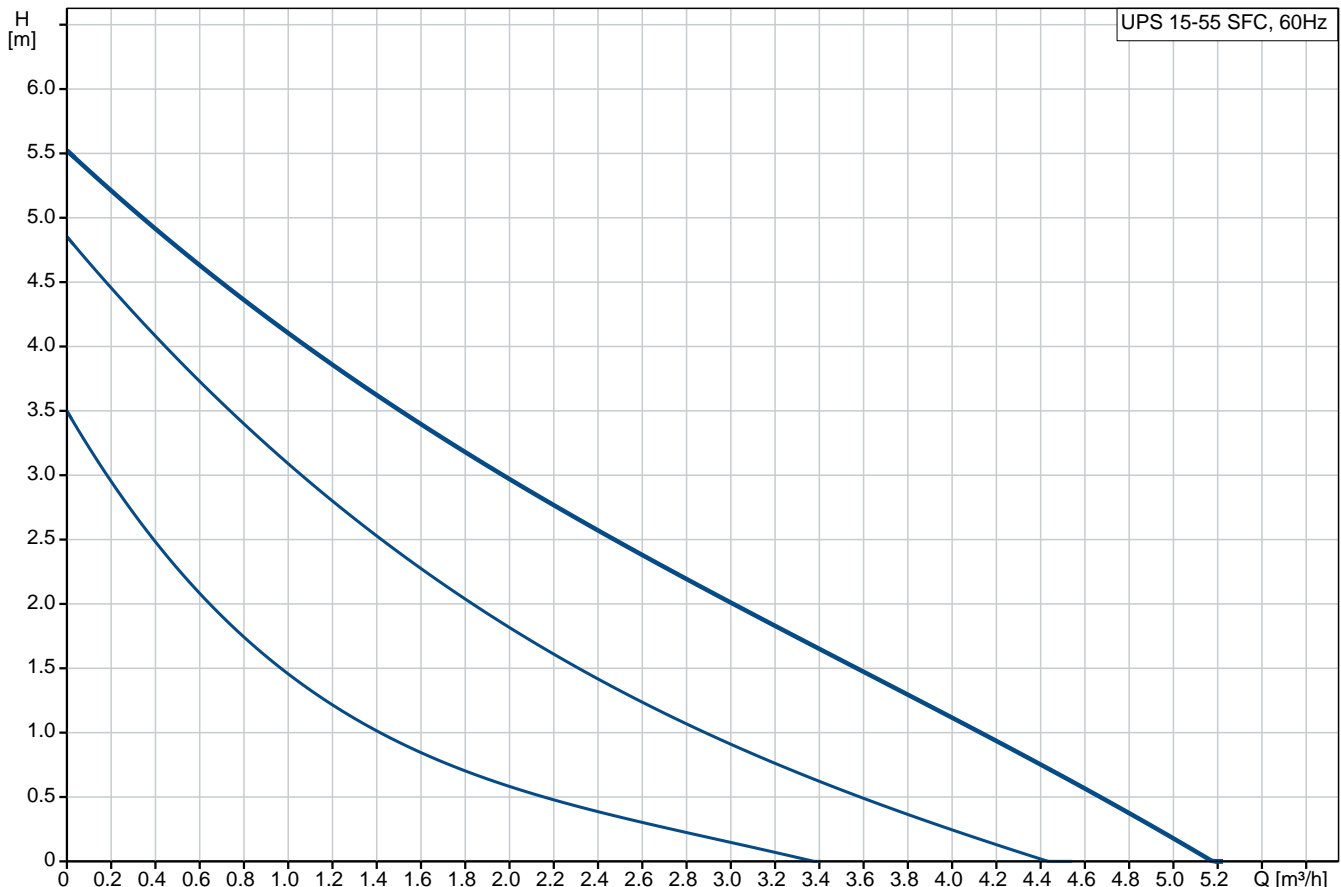
## UPS 15-55 SFC

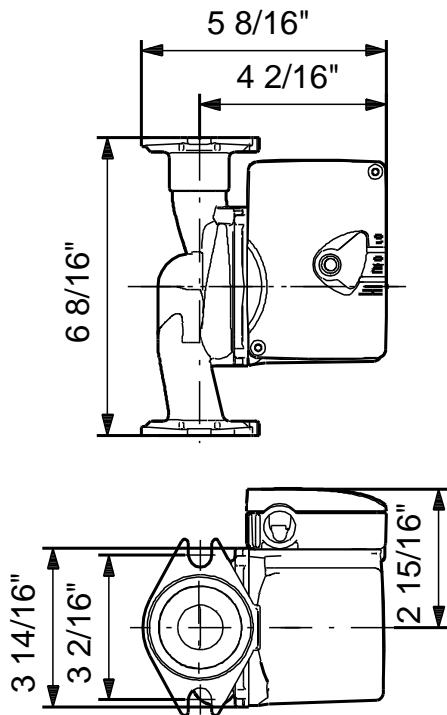
Circulator pumps



Note! Product picture may differ from actual product

Conditions of Service	Pump Data	Motor Data
Flow: _____	Maximum operating pressure: 10 bar	Max. power input: 87 W
Head: _____	Liquid temperature range: 2 .. 110 °C	Rated voltage: 115 V
Efficiency: _____	Maximum ambient temperature: 40 °C	Mains frequency: 60 Hz
Liquid: Water	Approvals: UL, CSA	Insulation class: F
Temperature: 60 °C	Type of connection: S.S. Flange	Motor protection: CONTACT
NPSH required: m	Flange standard: USA Oval	Thermal protection: internal
Viscosity: _____	Pipe connection: 2 - Bolt Flange	
Specific Gravity: 0.985	Product number: 59896773	





**Materials:**

Pump housing: Stainless steel  
DIN W.-Nr. 1.4301  
AISI 304

Impeller: Composite, PES

**Qty. Description**

1 **UPS 15-55 SFC**



Note! Product picture may differ from actual product

Product No.: [59896773](#)

The pump is of the canned rotor type, i.e. pump and motor form an integral unit without shaft seal and with only two gaskets for sealing.

The bearings are lubricated by the pumped liquid.

The pump has 3-step speed selector.

The pump is characterized by:

- \* Ceramic shaft and radial bearings.
- \* Carbon axial bearing.
- \* Stainless steel rotor can and bearing plate.
- \* Corrosion-resistant impeller, Composite, PES.
- \* Stainless steel pump housing.

The motor is a 1-phase motor.

No additional motor protection is required.

**Liquid:**

Pumped liquid: Water  
 Liquid temperature range: 2 .. 110 °C  
 Selected liquid temperature: 60 °C  
 Density: 983.2 kg/m<sup>3</sup>

**Technical:**

Approvals on nameplate: UL, CSA

**Materials:**

Pump housing: Stainless steel  
 DIN W.-Nr. 1.4301  
 AISI 304  
 Impeller: Composite, PES

**Installation:**

Maximum ambient temperature: 40 °C  
 Amb. max at 80 dgr C liquid: 80 °C  
 Maximum operating pressure: 10 bar  
 Flange standard: USA Oval  
 Type of connection: S.S. Flange  
 Pipe connection: 2 - Bolt Flange  
 Pressure rating: 10  
 Port-to-port length: 165 mm

**Electrical data:**

Power input in speed 1: 58 W  
 Power input in speed 2: 77 W  
 Max. power input: 87 W  
 Mains frequency: 60 Hz  
 Rated voltage: 1 x 115 V



Company name:

Created by:

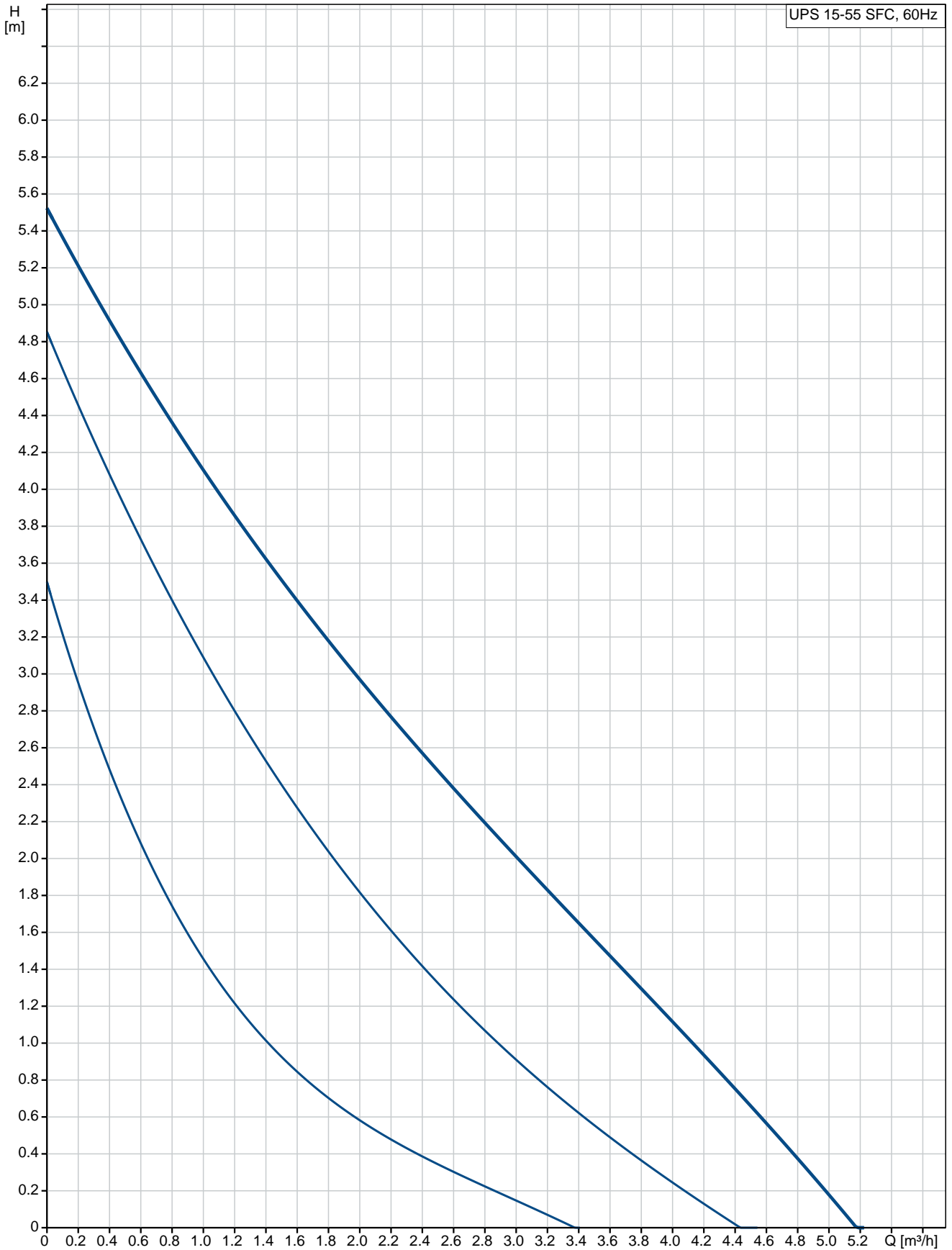
Phone:

Date:

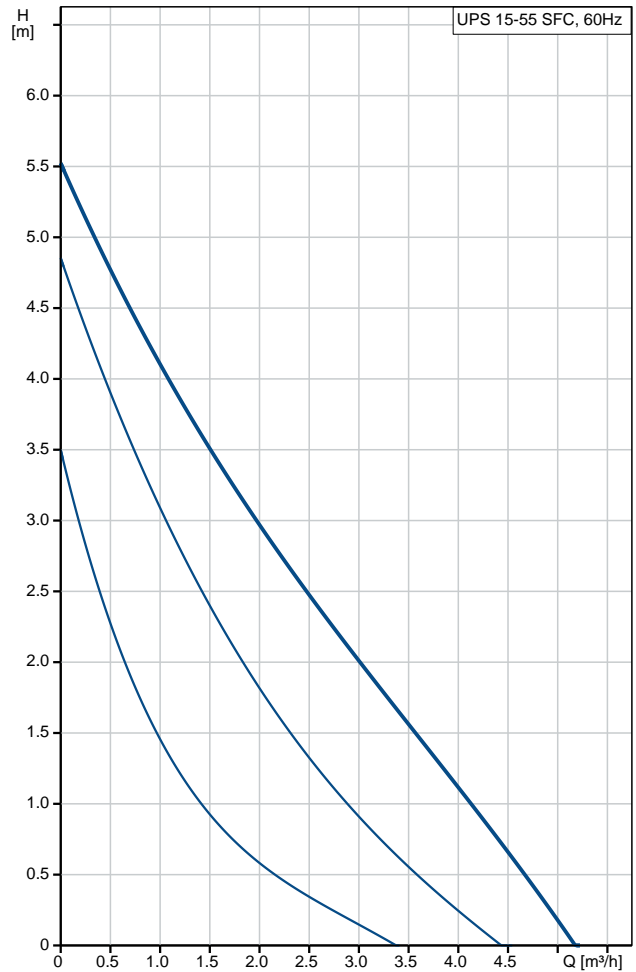
19/06/2020

Qty.	Description
	Current in speed 1: 0.53 A
	Current in speed 2: 0.69 A
	Current in speed 3: 0.75 A
	Capacitor size - run: 10 $\mu$ F/180 V
	Number of poles: 2
	Insulation class (IEC 85): F
	<b>Others:</b>
	Gross weight: 2.72 kg

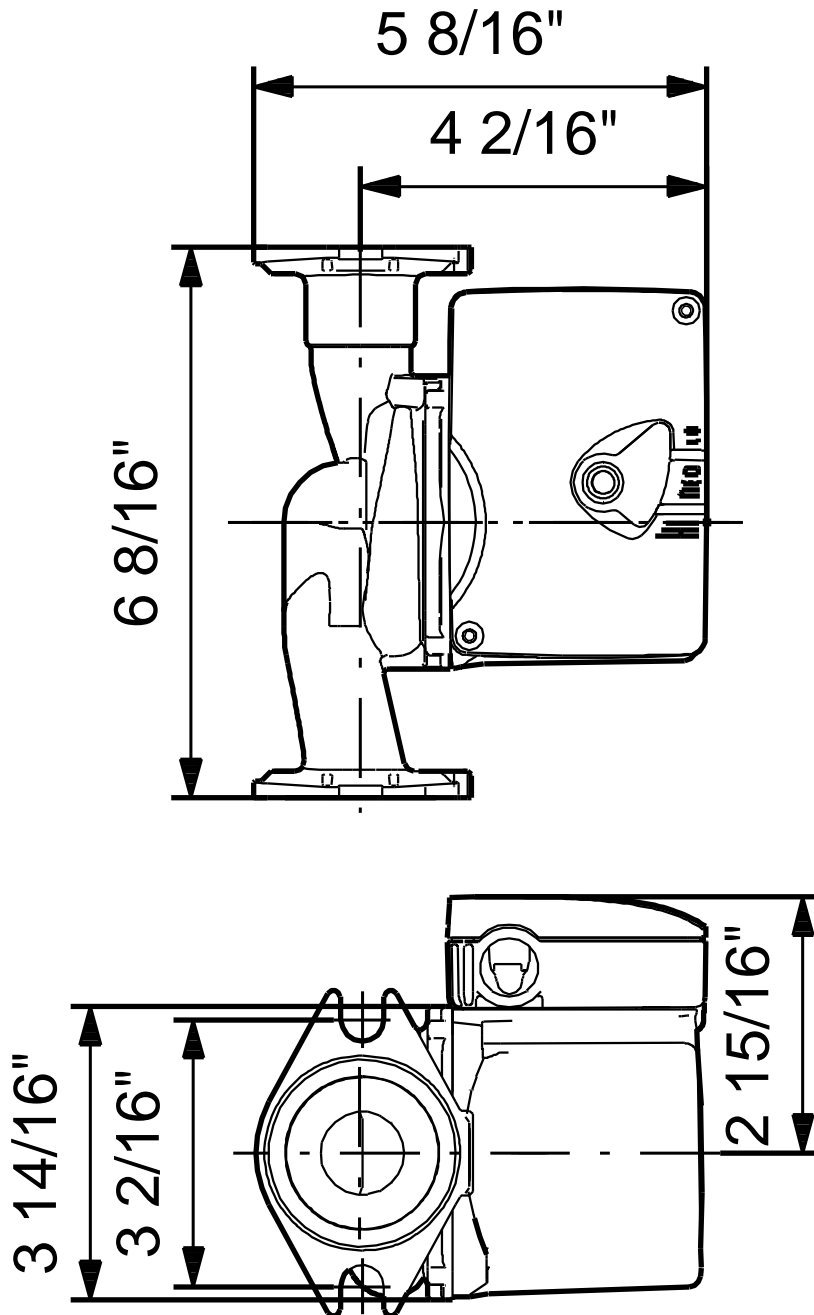
## 59896773 UPS 15-55 SFC 60 Hz



Description	Value
<b>General information:</b>	
Product name:	UPS 15-55 SFC
Product No:	59896773
EAN number:	5700837414449
	5700837414449
<b>Technical:</b>	
Speed no:	3
Max flow:	5.7 m <sup>3</sup> /h
Head max:	5.5 m
Approvals on nameplate:	UL, CSA
Valve:	pump with built-in isolating and non-return valves
<b>Materials:</b>	
Pump housing:	Stainless steel DIN W.-Nr. 1.4301 AISI 304
Impeller:	Composite, PES
<b>Installation:</b>	
Maximum ambient temperature:	40 °C
Amb. max at 80 dgr C liquid:	80 °C
Maximum operating pressure:	10 bar
Flange standard:	USA Oval
Type of connection:	S.S. Flange
Pipe connection:	2 - Bolt Flange
Pressure rating:	10
Port-to-port length:	165 mm
<b>Liquid:</b>	
Pumped liquid:	Water
Liquid temperature range:	2 .. 110 °C
Selected liquid temperature:	60 °C
Density:	983.2 kg/m <sup>3</sup>
<b>Electrical data:</b>	
Power input in speed 1:	58 W
Power input in speed 2:	77 W
Max. power input:	87 W
Mains frequency:	60 Hz
Rated voltage:	1 x 115 V
Current in speed 1:	0.53 A
Current in speed 2:	0.69 A
Current in speed 3:	0.75 A
Capacitor size - run:	10 µF/180 V
Number of poles:	2
Insulation class (IEC 85):	F
Motor protec:	CONTACT
Thermal protec:	internal
<b>Controls:</b>	
Pos term box:	9H
<b>Others:</b>	
Gross weight:	2.72 kg



**59896773 UPS 15-55 SFC 60 Hz**



Note! All units are in [mm] unless others are stated.  
Disclaimer: This simplified dimensional drawing does not show all details.