

PROJECT: _____	UNIT TAG: _____	QUANTITY: _____
REPRESENTATIVE: _____	TYPE OF SERVICE: _____	DATE: _____
ENGINEER: _____	SUBMITTED BY: _____	DATE: _____
CONTRACTOR: _____	APPROVED BY: _____	DATE: _____
	ORDER NO.: _____	DATE: _____

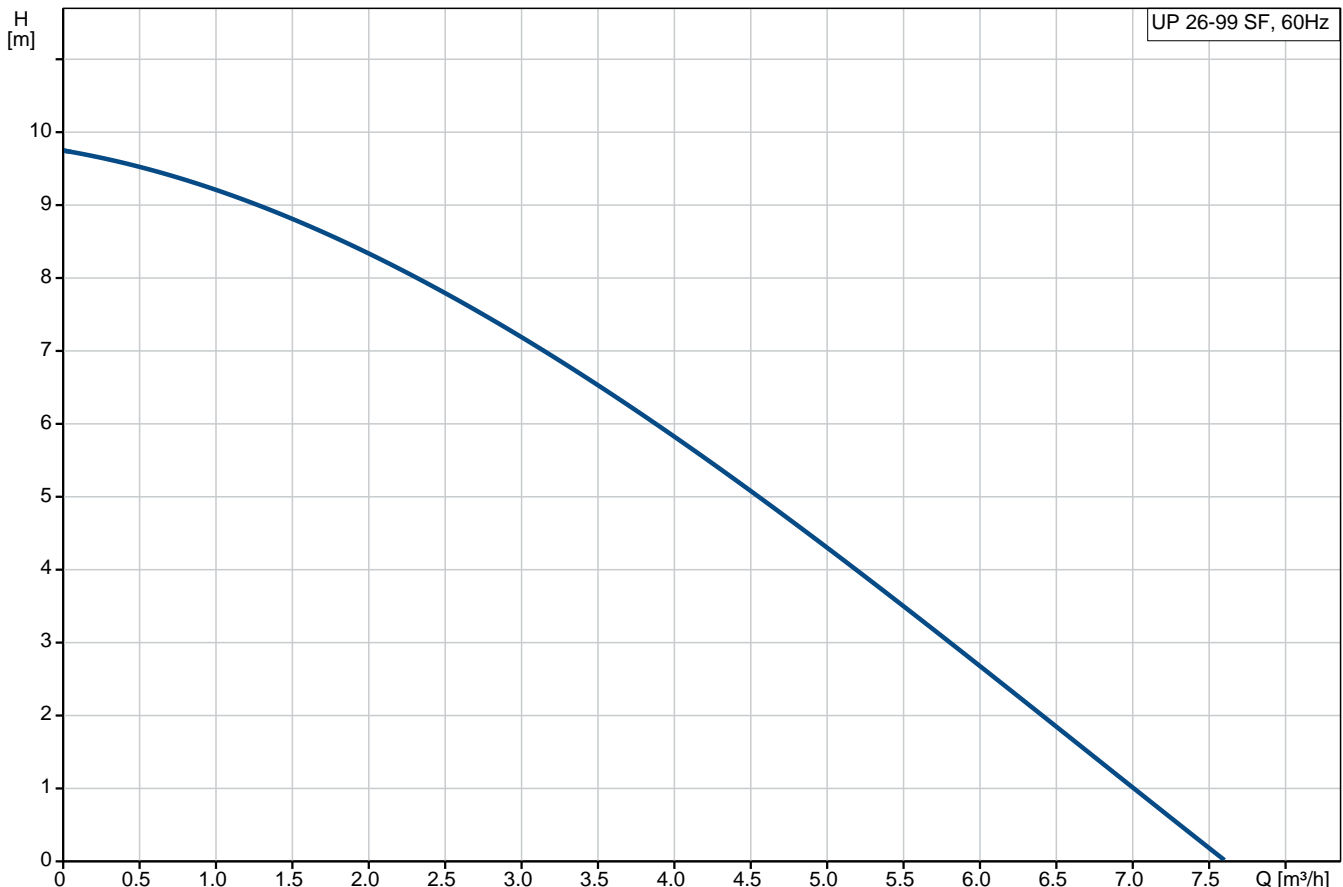


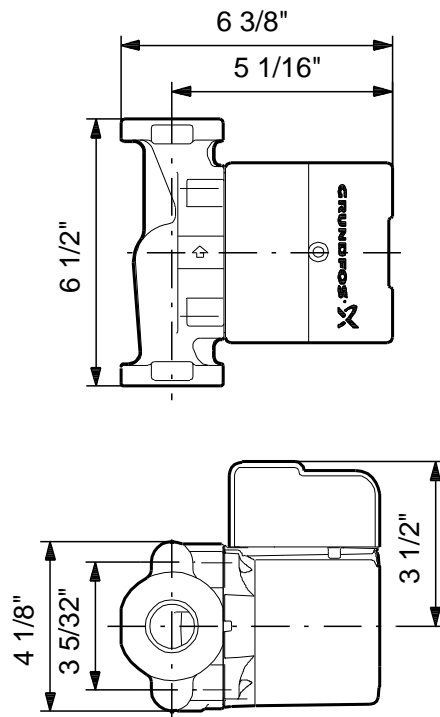
UP 26-99 SF

Circulator pumps

Note! Product picture may differ from actual product

Conditions of Service	Pump Data	Motor Data
Flow: _____	Maximum operating pressure: 10 bar	Max. power input: 245 W
Head: _____	Liquid temperature range: 0 .. 110 °C	Rated voltage: 230 V
Efficiency: _____	Maximum ambient temperature: 40 °C	Mains frequency: 60 Hz
Liquid: Water	Approvals: UL, CSA	Insulation class: F
Temperature: 60 °C	Type of connection: S.S. Flange	Motor protection: CONTACT
NPSH required: _____	Flange standard: USA Oval	Thermal protection: internal
Viscosity: _____	Pipe connection: 2 - Bolt Flange	
Specific Gravity: 0.985	Product number: 98961760	





Materials:

Pump housing: Stainless steel
EN 1.4301

Impeller: Composite, PES

Qty. Description

1 UP 26-99 SF



Note! Product picture may differ from actual product

Product No.: [98961760](#)

The pump is of the canned rotor type, i.e. pump and motor form an integral unit without shaft seal and with only two gaskets for sealing.

The bearings are lubricated by the pumped liquid.

The pump is characterized by:

- * Ceramic shaft and radial bearings.
- * Carbon axial bearing.
- * Stainless steel rotor can and bearing plate.
- * Corrosion-resistant impeller, Composite, PES.
- * Stainless steel pump housing.

The motor is a 1-phase motor.

No additional motor protection is required.

Liquid:

Pumped liquid: Water
 Liquid temperature range: 0 .. 110 °C
 Selected liquid temperature: 60 °C
 Density: 983.2 kg/m³

Technical:

Approvals on nameplate: UL, CSA

Materials:

Pump housing: Stainless steel
 EN 1.4301
 Impeller: Composite, PES

Installation:

Maximum ambient temperature: 40 °C
 Amb. max at 80 dgr C liquid: 80 °C
 Maximum operating pressure: 10 bar
 Flange standard: USA Oval
 Type of connection: S.S. Flange
 Pipe connection: 2 - Bolt Flange
 Pressure rating: 10
 Port-to-port length: 165 mm

Electrical data:

Max. power input: 245 W
 Mains frequency: 60 Hz
 Rated voltage: 1 x 230 V
 Current in speed 3: 1.07 A
 Capacitor size - run: 2.5 µF/380 V
 Number of poles: 2
 Insulation class (IEC 85): F



Company name:

Created by:

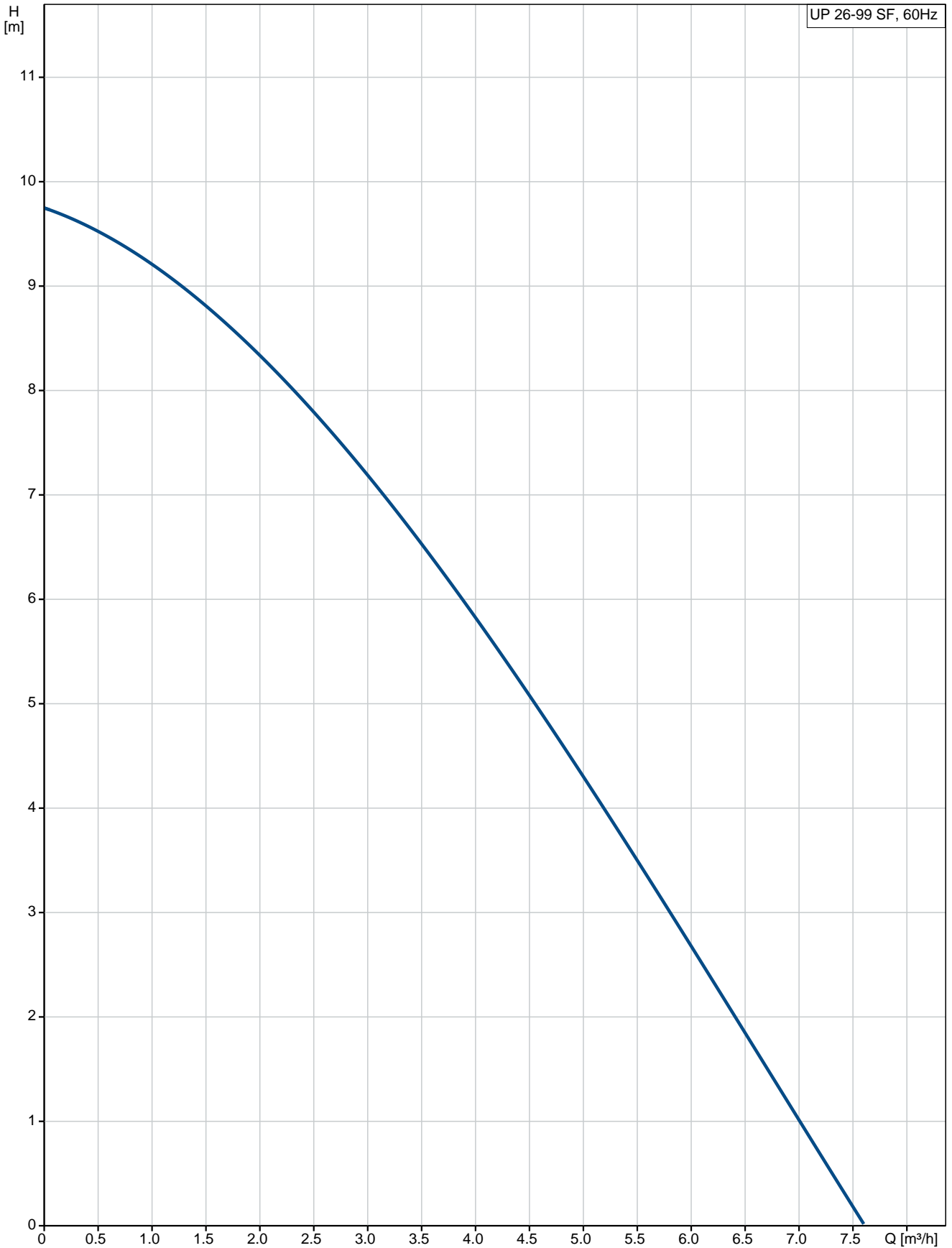
Phone:

Date:

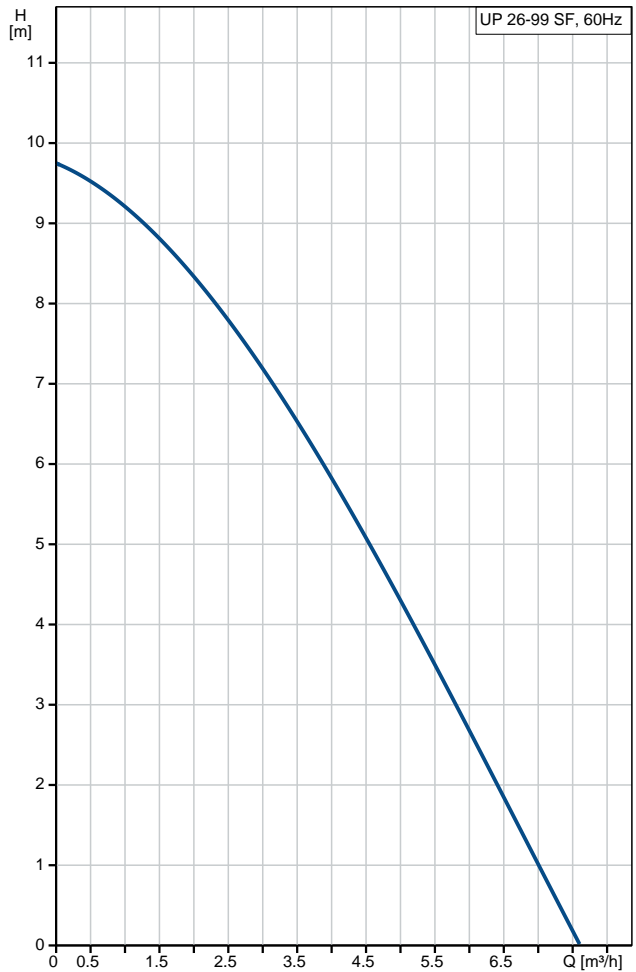
19/06/2020

Qty.	Description
	<p data-bbox="199 338 295 369">Others:</p> <p data-bbox="199 369 651 403">Gross weight: 5.22 kg</p>

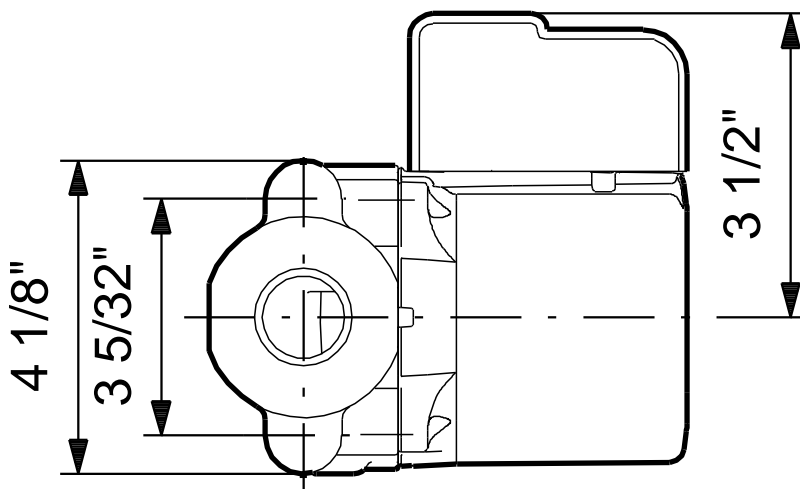
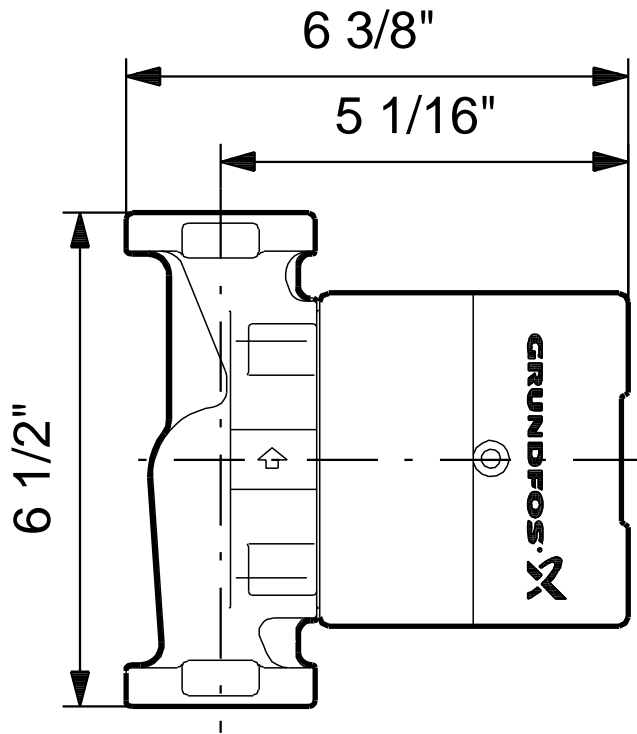
98961760 UP 26-99 SF 60 Hz



Description	Value
General information:	
Product name:	UP 26-99 SF
Product No:	98961760
EAN number:	5712604305720
	5712604305720
Technical:	
Speed no:	1
Max flow:	7.7 m ³ /h
Head max:	9.8 m
Approvals on nameplate:	UL, CSA
Materials:	
Pump housing:	Stainless steel EN 1.4301
Impeller:	Composite, PES
Installation:	
Maximum ambient temperature:	40 °C
Amb. max at 80 dgr C liquid:	80 °C
Maximum operating pressure:	10 bar
Flange standard:	USA Oval
Type of connection:	S.S. Flange
Pipe connection:	2 - Bolt Flange
Pressure rating:	10
Port-to-port length:	165 mm
Liquid:	
Pumped liquid:	Water
Liquid temperature range:	0 .. 110 °C
Selected liquid temperature:	60 °C
Density:	983.2 kg/m ³
Electrical data:	
Max. power input:	245 W
Mains frequency:	60 Hz
Rated voltage:	1 x 230 V
Current in speed 3:	1.07 A
Capacitor size - run:	2.5 µF/380 V
Number of poles:	2
Insulation class (IEC 85):	F
Motor protec:	CONTACT
Thermal protec:	internal
Controls:	
Pos term box:	9H
Others:	
Gross weight:	5.22 kg



98961760 UP 26-99 SF 60 Hz



Note! All units are in [mm] unless others are stated.
Disclaimer: This simplified dimensional drawing does not show all details.